

CLIENT:		
FRAME	KW	RPM
VOLTS		

OUTLINE DIMENSIONS FOOT MOUNTED MOTORS

SHAFT EXT.DE ONLY

WEIGHT

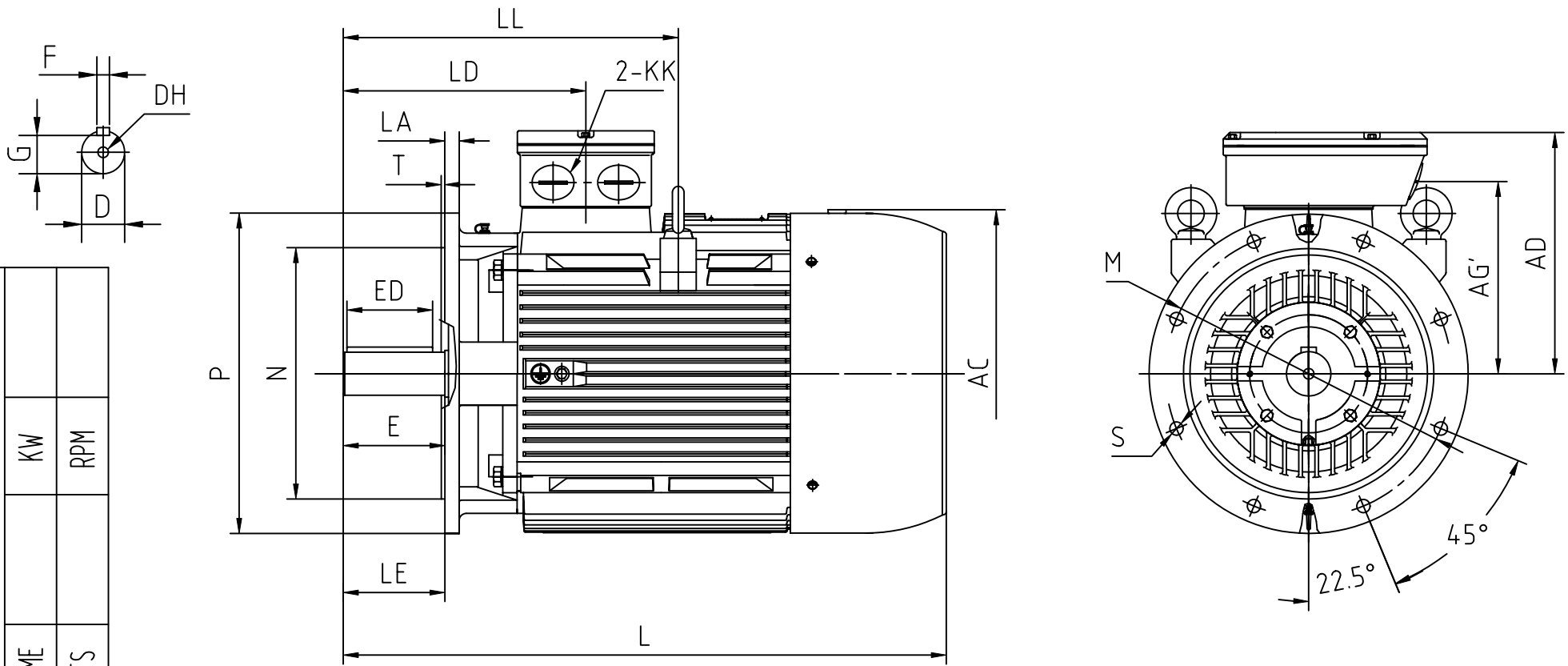
A	AA	AB	AC	B	BA	BB	C	H	HA	HB	HD	K	KK	L	LD	LL		D	DH	E	ED	F	G		
356	80	436	φ465	311	88	380	149	225	28	491	560	φ18.5	M50x1.5	850	310	438.5		φ55 ^{+0.030} _{+0.011}	M20X42	110	90	16	4.9 ⁰ _{-0.2}		

CUSTOMER APPROVAL _____
SIGNATURE DATE

1L225 M 2P (B3)
DIMENSION OUTLINE

1L225001

DATE	2002.01.20	CHK	Qu Huolong
DRAWN	Wang Yong	APPD	Zhang Wenbin
ISSUE	A	DATE	CERTIFIED BY
ISSUE	B	DATE	CERTIFIED BY
ISSUE	C	DATE	CERTIFIED BY
ISSUE	D	DATE	CERTIFIED BY

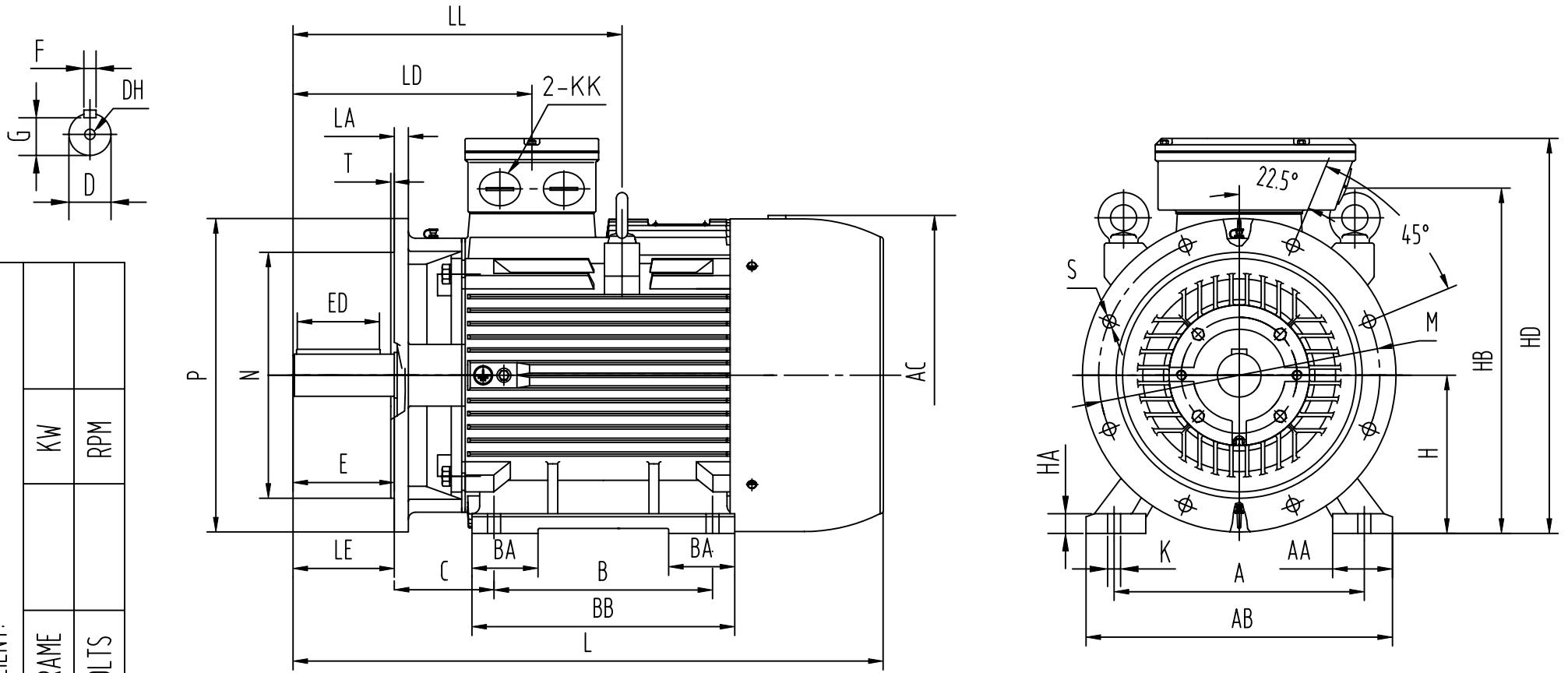


CLIENT:		
FRAME	KW	RPM
VOLTS		

OUTLINE DIMENSIONS FLANGE MOUNTED MOTORS														SHAFT EXT.DE ONLY						WEIGHT				
AC	AD	AG'	KK	L	LA	LD	LE	LL	M	N	P	S	T					D	DH	E	ED	F	G	
φ465	335	266	M50×1.5	850	20	310	110	438.5	φ400	φ350	φ450	8×18.5	5					φ55 ^{+0.030} _{+0.011}	M20×4.2	110	90	16	49 ⁰ _{-0.2}	

CUSTOMER APPROVAL _____
 SIGNATURE DATE

1L225 M 2P (B5) DIMENSION OUTLINE	DATE	2002.01.20	CHK	Qu Hualong
	DRAWN	Wang Yong	APPD	Zhang Wenbin
1L225002	ISSUE	A	DATE	CERTIFIED BY
	ISSUE	B	DATE	CERTIFIED BY
	ISSUE	C	DATE	CERTIFIED BY
	ISSUE	D	DATE	CERTIFIED BY



CLIENT:	FRAME	KW
	VOLTS	RPM

OUTLINE DIMENSIONS FOOT-FLANGE MOUNTED MOTORS																	SHAFT EXT.DE ONLY					WEIGHT		
---	--	--	--	--	--	--	--	--	--	--	--	--	--	--	--	--	-------------------	--	--	--	--	--------	--	--

A	AA	AB	AC	B	BA	BB	C	H	HA	HB	HD	K	KK	L	LA	LD	LE	D	DH	E	ED	F	G	
356	80	436	φ465	311	88	380	149	225	28	491	560	φ18.5	M50×1.5	850	20	310	110	φ55 ^{+0.030} _{+0.011}	M20×4.2	110	90	16	4.9 ⁰ _{-0.2}	

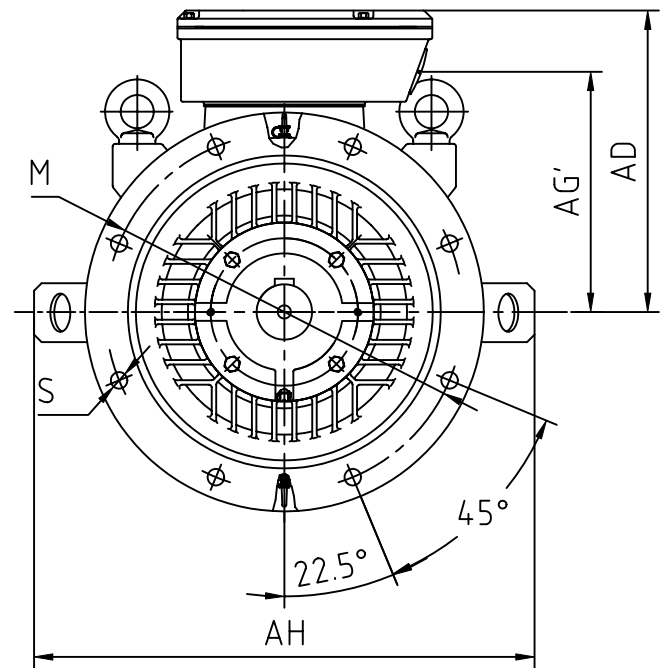
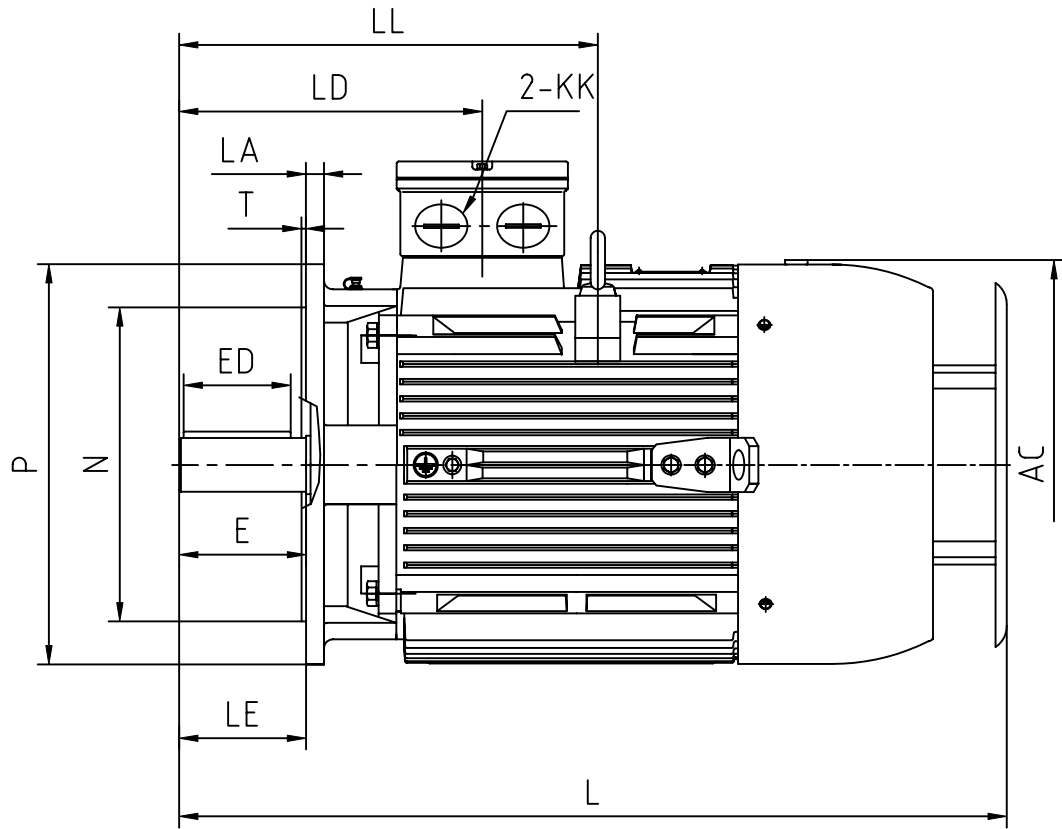
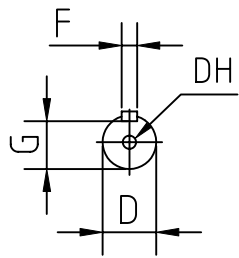
LL	M	N	P	S	T
468.5	φ400	φ350	φ450	8×φ18.5	5

CUSTOMER APPROVAL _____
SIGNATURE _____ DATE _____

1L225 M 2P (B35)
DIMENSION OUTLINE

1L225003

DATE	2002.01.20	CHK	Qu Huolong
DRAWN	Wang Yong	APPD	Zhang Wenbin
ISSUE A	DATE	CERTIFIED BY	
ISSUE B	DATE	CERTIFIED BY	
ISSUE C	DATE	CERTIFIED BY	
ISSUE D	DATE	CERTIFIED BY	



CLIENT:

FRAME

VOLTS

KW

RPM

OUTLINE DIMENSIONS FLANGE MOUNTED MOTORS

SHAFT EXT.DE ONLY

WEIGHT

AC	AD	AG'	AH	KK	L	LA	LD	LE	LL	M	N	P	S	T				D	DH	E	ED	F	G	
φ465	335	266	597	M50X1.5	920	20	310	110	438.5	φ400	φ350	φ450	8x18.5	5				φ55 ^{+0.030} _{+0.011}	M20X42	110	90	16	49 ⁰ _{-0.2}	

CUSTOMER APPROVAL

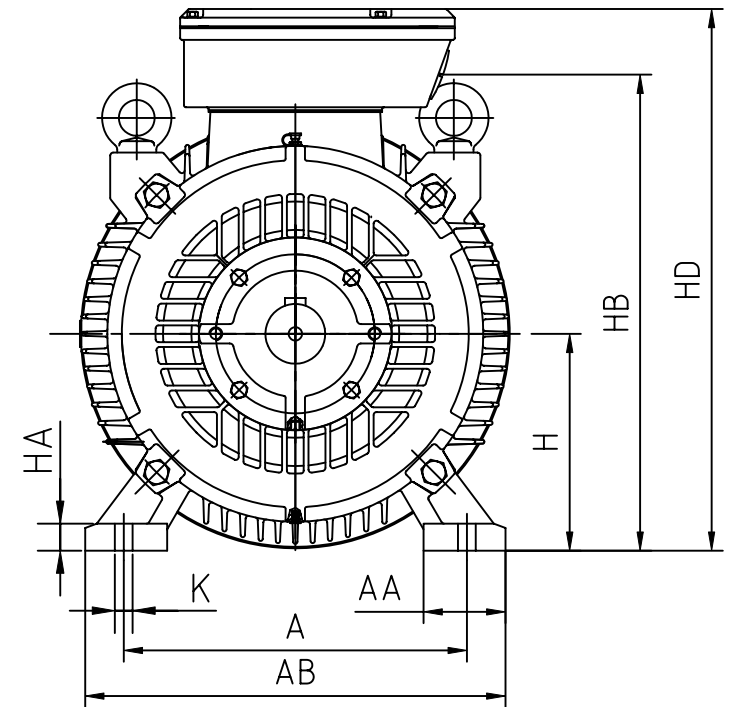
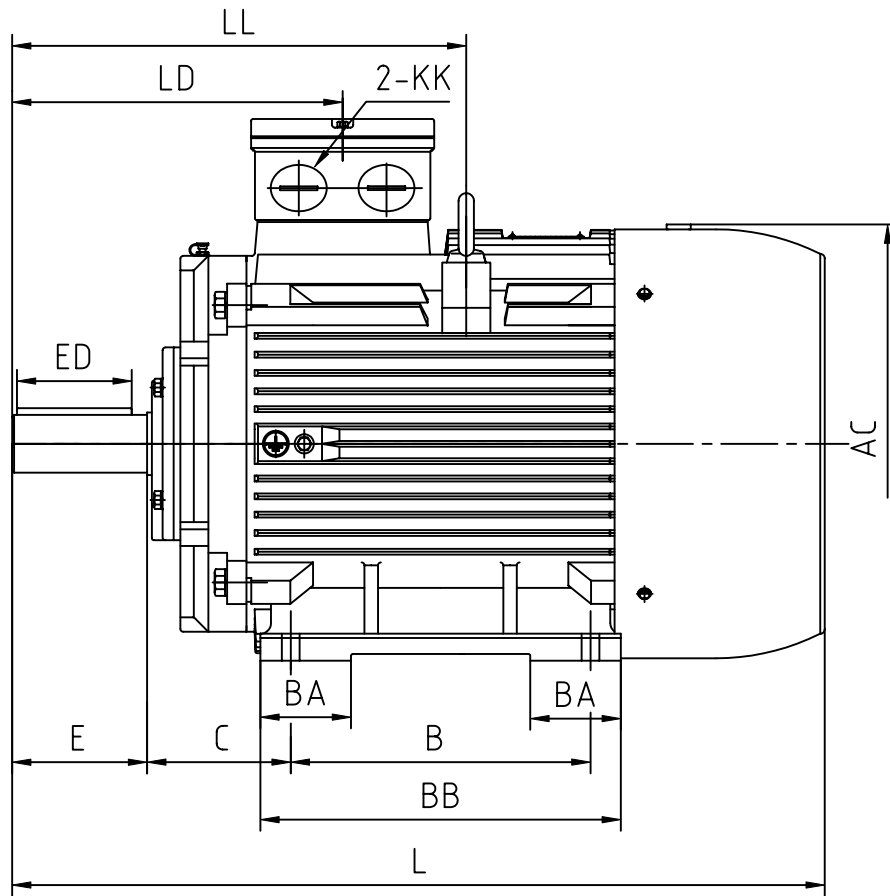
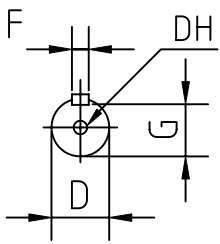
SIGNATURE

DATE

1L225 M 2P (V1)
DIMENSION OUTLINE

1L225004

DATE	2002.01.20	CHK	Qu Hualong
DRAWN	Wang Yong	APPD	Zhang Wenbin
ISSUE	A	DATE	CERTIFIED BY
ISSUE	B	DATE	CERTIFIED BY
ISSUE	C	DATE	CERTIFIED BY
ISSUE	D	DATE	CERTIFIED BY



CLIENT:

FRAME	KW
VOLTS	RPM

OUTLINE DIMENSIONS FOOT MOUNTED MOTORS

SHAFT EXT.DE ONLY

WEIGHT

A	AA	AB	AC	B		BA		BB		C	H	HA	HB	HD	K	KK	L		D	DH	E	ED	F	G
356	80	436	φ465	286(225S)	311(225M)	78(225S)	88(225M)	355(225S)	380(225M)	149	225	28	491	560	φ18.5	M50×1.5	825(225S)	850(225M)	φ60 ^{+0.030} _{+0.011}	M20×4.2	140	110	18	53 ⁰ _{-0.2}

LD

LL

340

468.5

CUSTOMER APPROVAL _____

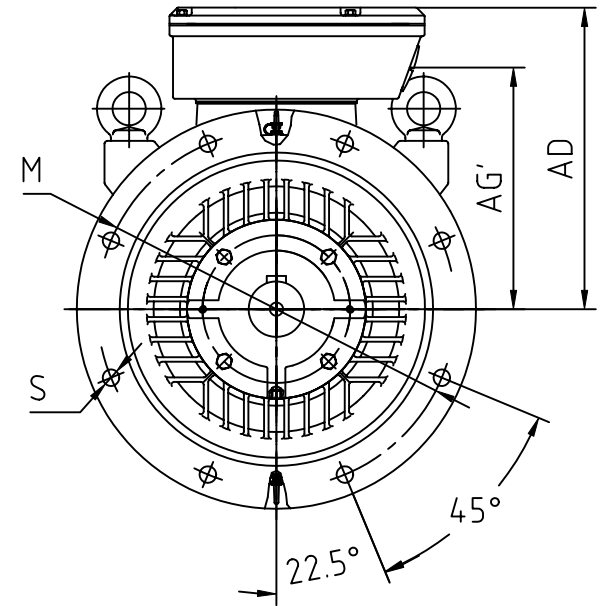
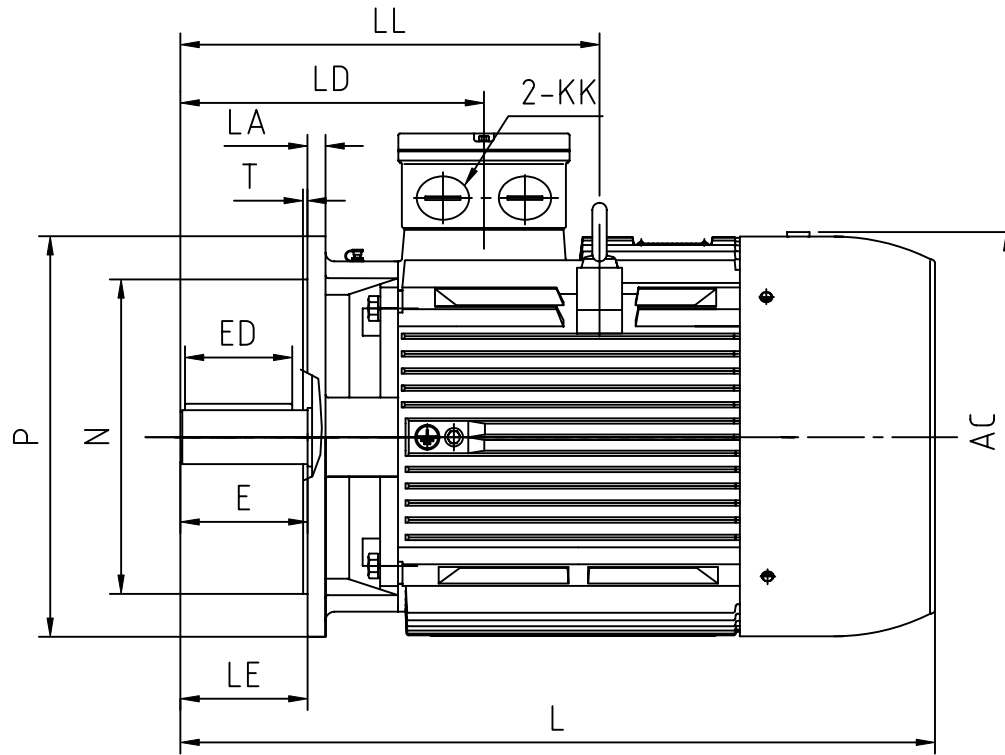
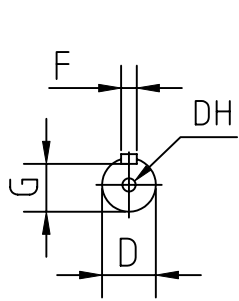
SIGNATURE

DATE

1L225 4-8 P (B3)
DIMENSION OUTLINE

1L225005

DATE	2002.01.20	CHK	Qu Huolong
DRAWN	Wang Yong	APPD	Zhang Wenbin
ISSUE A	DATE	CERTIFIED BY	
ISSUE B	DATE	CERTIFIED BY	
ISSUE C	DATE	CERTIFIED BY	
ISSUE D	DATE	CERTIFIED BY	



CLIENT:

FRAME	KW
VOLTS	RPM

OUTLINE DIMENSIONS FLANGE MOUNTED MOTORS

SHAFT EXT.DE ONLY

WEIGHT

AC	AD	AG'	LD	KK	L		LL	LA	LE	M	N	P	S	T				D	DH	E	ED	F	G		
φ465	335	266	340	M50×1.5	825(225S)	850(225M)	468.5	20	140	φ400	φ350	φ450	8×18.5	5				φ60 ^{+0.030} _{-0.011}	M20×42	140	110	18	53 ⁰ _{-0.2}		

CUSTOMER APPROVAL

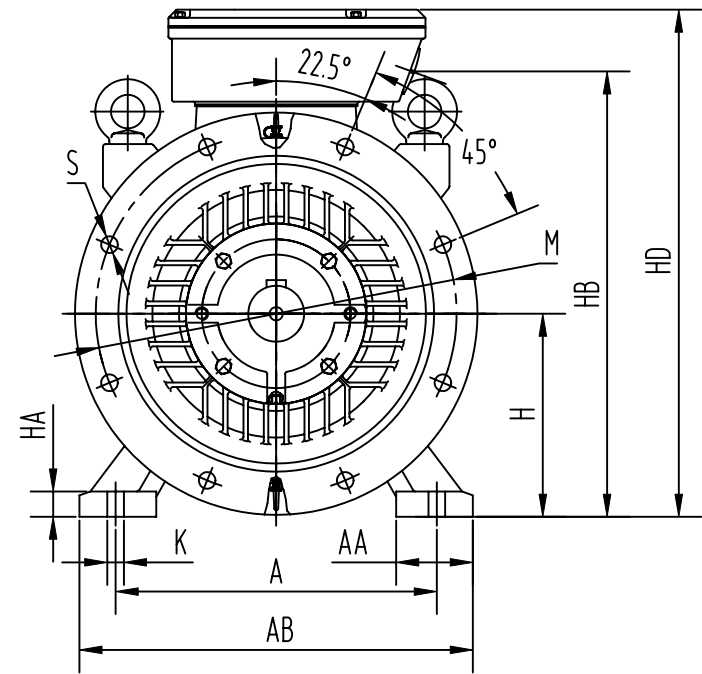
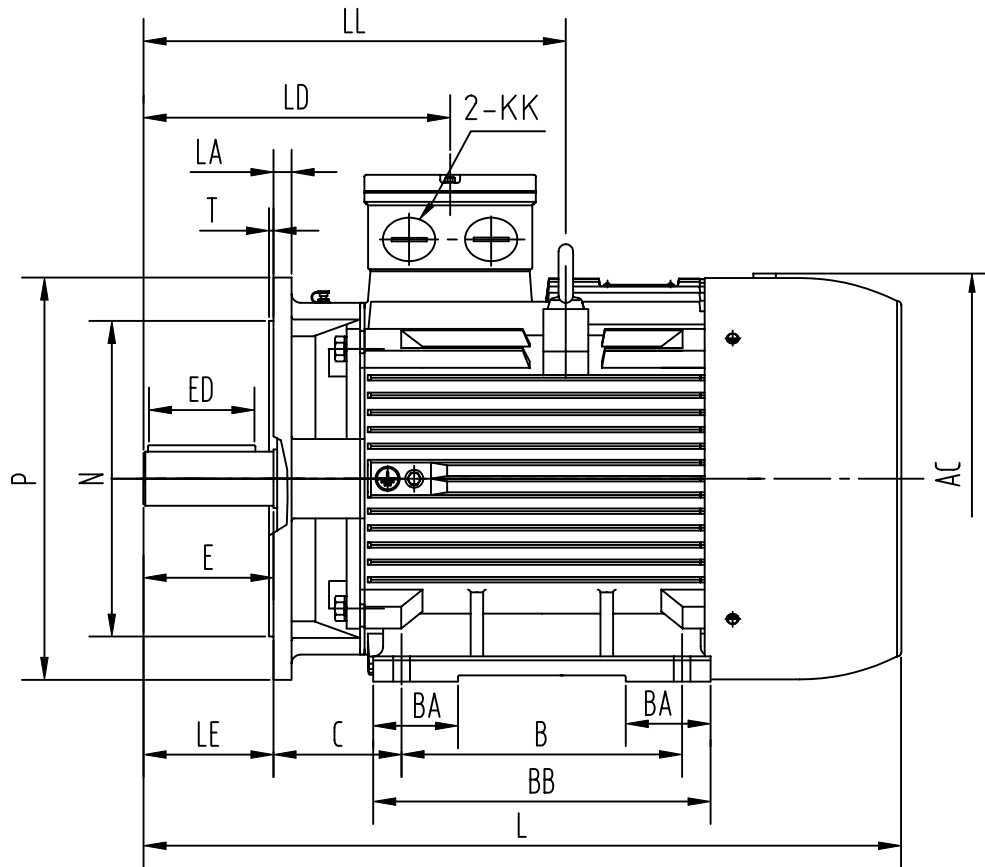
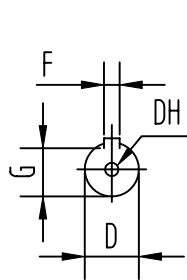
SIGNATURE

DATE

1L225 4~8P (B5)
DIMENSION OUTLINE

1L225006

DATE	2002.01.20	CHK	QuHualong
DRAWN	WangYong	APPD	ZhangWenbin
ISSUE	A	DATE	CERTIFIED BY
ISSUE	B	DATE	CERTIFIED BY
ISSUE	C	DATE	CERTIFIED BY
ISSUE	D	DATE	CERTIFIED BY



CLIENT:

FRAME	KW	RPM
VOLTS		

OUTLINE DIMENSIONS FOOT-FLANGE MOUNTED MOTORS

SHAFT EXT.DE ONLY

WEIGHT

A	AA	AB	AC	B		BA		BB		C	H	HA	HB	HD	K	KK	L	LA	D	DH	E	ED	F	G	
356	80	436	φ465	286(225S)	311(225M)	78(225S)	88(225M)	355(225S)	380(225M)	149	225	28	491	560	φ18.5	M50×1.5	825(225S)	850(225M)	20	φ60 ^{+0.030} φ60 ^{+0.011}	M20×4.2	140	110	18	53 ⁰ _{-0.2}

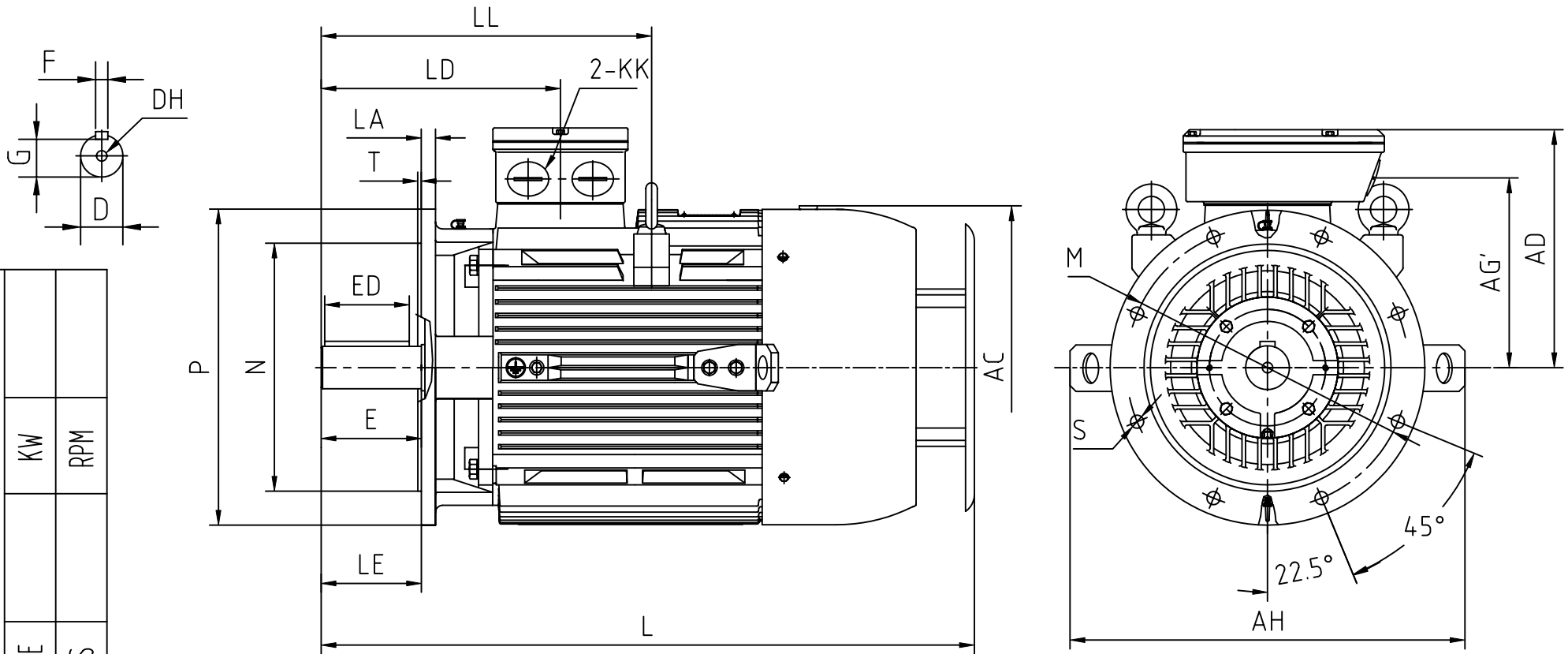
LD	LE	LL	M	N	P	S	T
340	140	468.5	φ400	φ350	φ450	8×φ18.5	5

CUSTOMER APPROVAL _____
SIGNATURE DATE

1L225 4~8P (B35)
DIMENSION OUTLINE

1L225007

DATE	2002.01.20	CHK	Qu Hualong
DRAWN	Wang Yong	APPD	Zhang Wenbin
ISSUE A	DATE	CERTIFIED BY	
ISSUE B	DATE	CERTIFIED BY	
ISSUE C	DATE	CERTIFIED BY	
ISSUE D	DATE	CERTIFIED BY	



CLIENT:		
FRAME	KW	RPM
VOLTS		

OUTLINE DIMENSIONS FLANGE MOUNTED MOTORS

SHAFT EXT.DE ONLY

WEIGHT

AC	AD	AH	AG'	LD	KK	L		LL	LA	LE	M	N	P	S	T			D	DH	E	ED	F	G	
φ465	335	597	266	340	M50×1.5	895(225S)	920(225M)	468.5	20	140	φ400	φ350	φ450	8×18.5	5			φ60 ^{+0.030} _{+0.011}	M20×42	140	110	18	53 ⁰ _{-0.2}	

CUSTOMER APPROVAL _____
SIGNATURE DATE

1L225 4~8P (V1) DIMENSION OUTLINE	DATE	2002.01.20	CHK	QuHualong
	DRAWN	WangYong	APPD	ZhangWenbin
1L225008	ISSUE	A	DATE	CERTIFIED BY
	ISSUE	B	DATE	CERTIFIED BY
	ISSUE	C	DATE	CERTIFIED BY
	ISSUE	D	DATE	CERTIFIED BY