

CLIENT:		
FRAME	KW	RPM
VOLTS		

OUTLINE DIMENSIONS FOOT MOUNTED MOTORS

SHAFT EXT.DE ONLY

WEIGHT

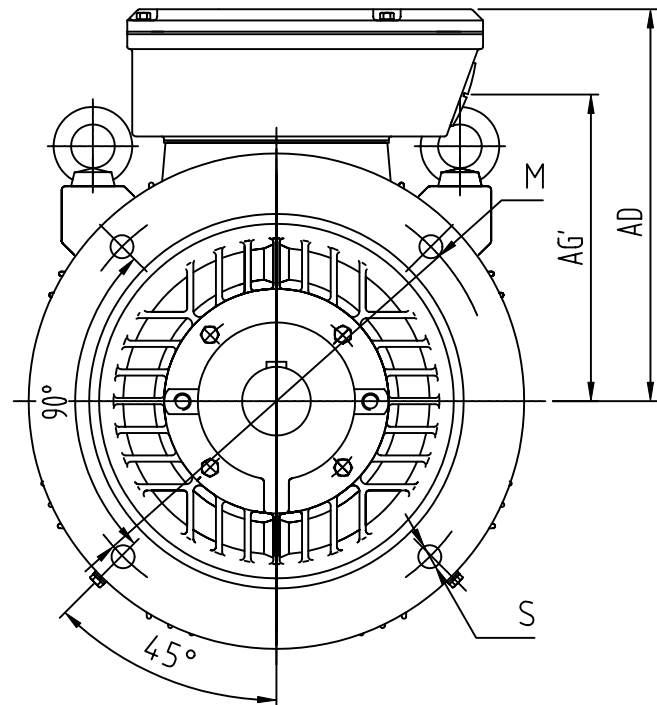
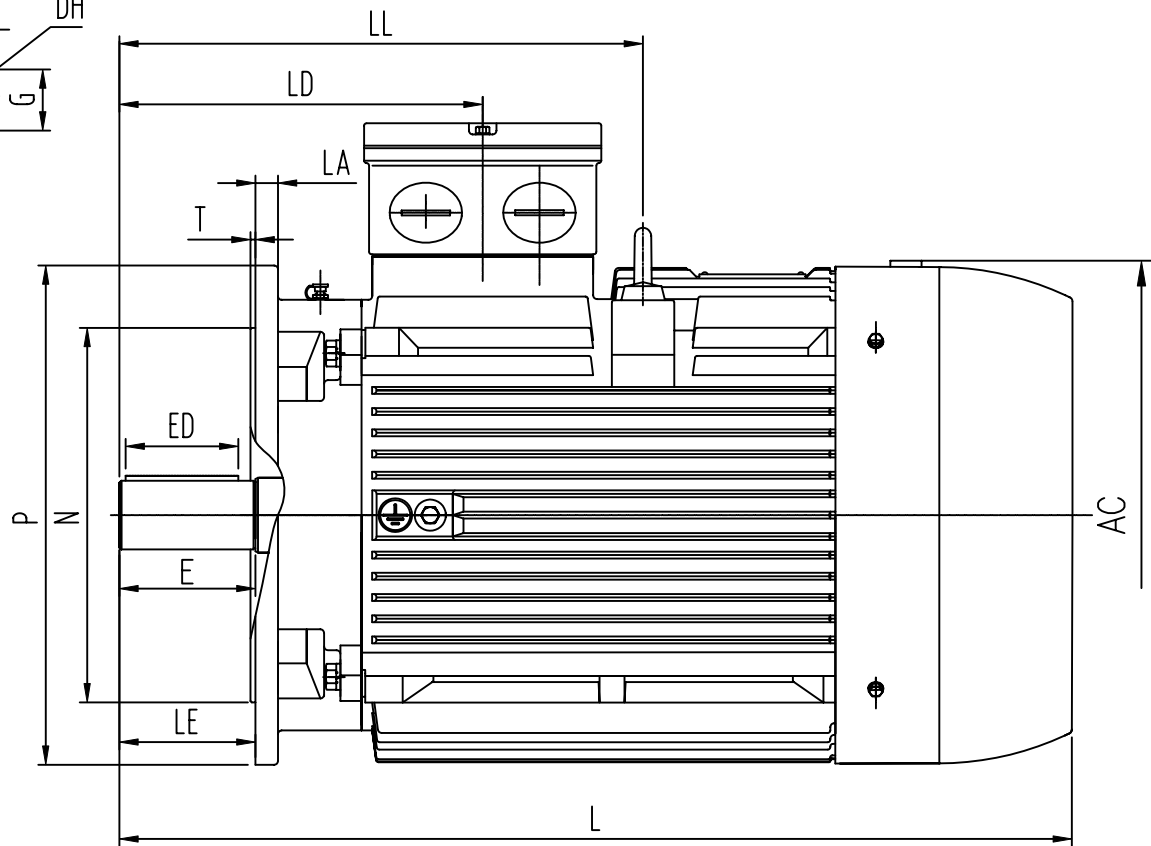
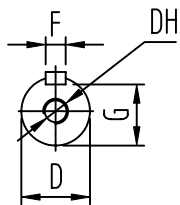
A	AA	AB	AC	B	BA	BA'	BB	C	H	HA	HB	HD	LD	K	KK	L	LL	D	DH	E	ED	F	G
318	85	395	φ420	305	71	71	370	133	200	25	447	524	291	φ18.5	M50X1.5	770	419.5	φ55 ^{+0.03} _{+0.011}	M20X42	110	90	16	φ4.9 ⁰ _{-0.2}

CUSTOMER APPROVAL _____
SIGNATURE DATE

1L200 2-8P (B3)
DIMENSION OUTLINE

1L200001

DATE	2002.01.20	CHK	Qu Huolong
DRAWN	Yu Haijun	APPD	Zhang Wenbin
ISSUE	A	DATE	CERTIFIED BY
ISSUE	B	DATE	CERTIFIED BY
ISSUE	C	DATE	CERTIFIED BY
ISSUE	D	DATE	CERTIFIED BY



CLIENT:

FRAME

VOLTS

KW

RPM

OUTLINE DIMENSIONS FLANGE MOUNTED MOTORS

SHAFT EXT.DE ONLY

WEIGHT

AC	AD	AG'	KK	L	LA	LD	LE	LL	M	N	P	S	T					D	DH	E	ED	F	G
φ420	324	247	M50X1.5	770	17	291	110	419.5	φ350	φ300	φ400	4×φ18.5	5					φ55 ^{+0.03} _{+0.011}	M20×4.2	110	90	16	49 ⁰ _{-0.2}

CUSTOMER APPROVAL

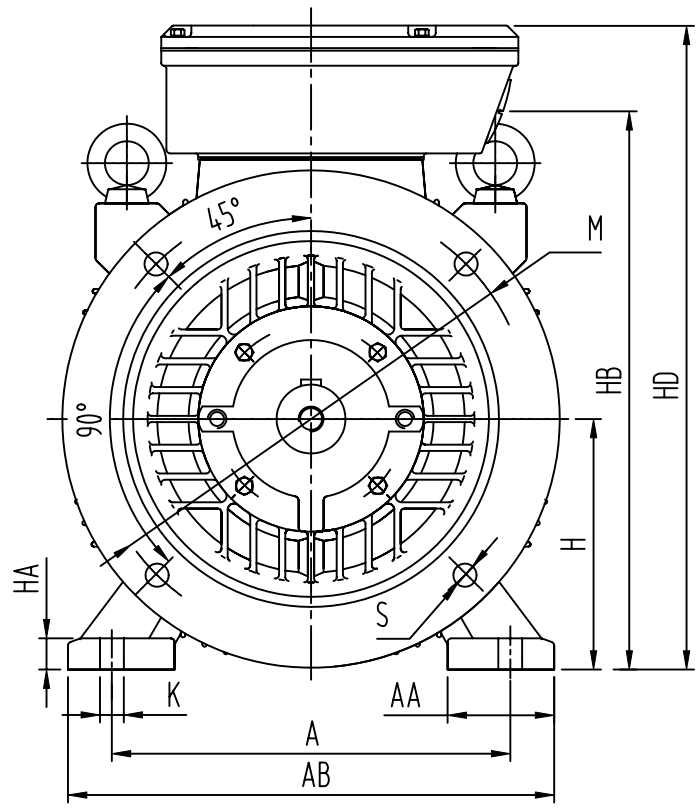
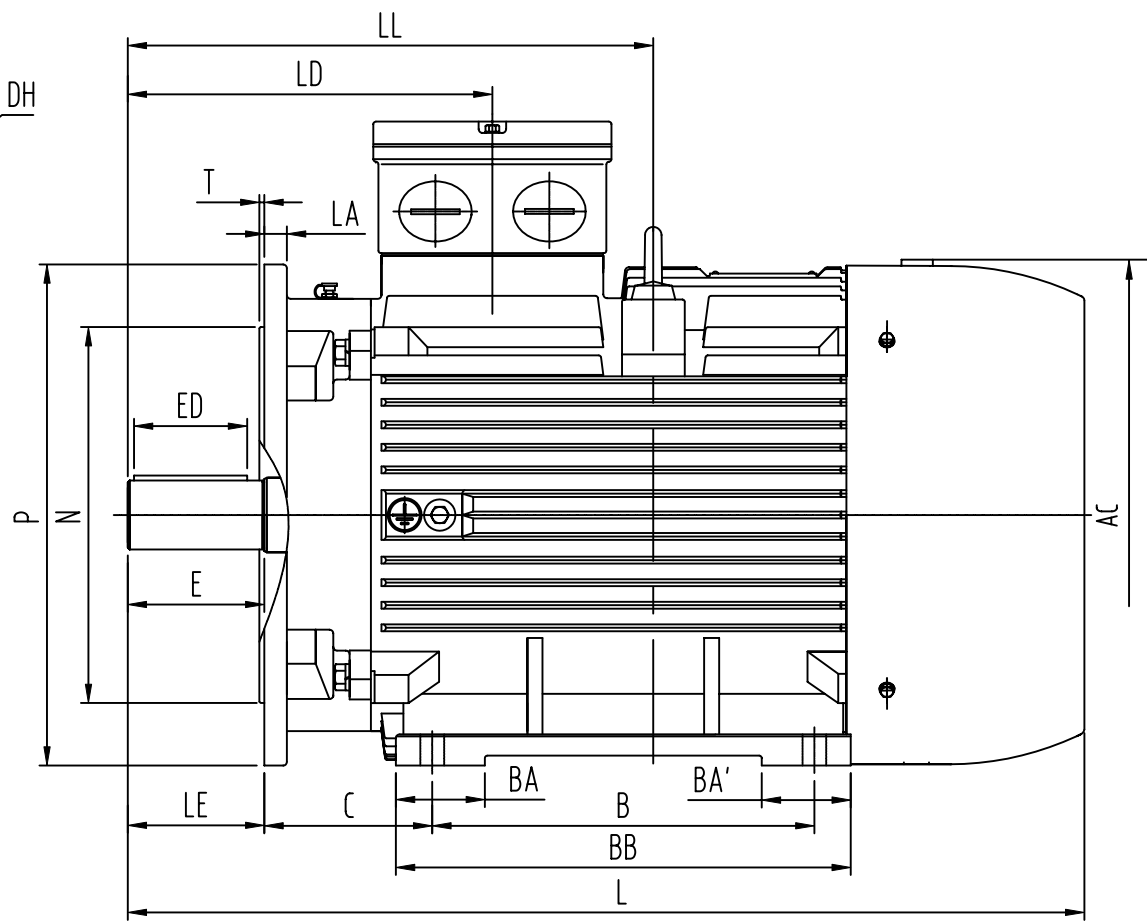
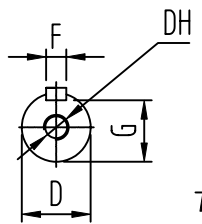
SIGNATURE

DATE

1L200 2~8P (B5)
DIMENSION OUTLINE

1L200002

DATE	2002.01.20	CHK	QuHualong
DRAWN	YuHajun	APPD	ZhangWenbin
ISSUE	A	DATE	CERTIFIED BY
ISSUE	B	DATE	CERTIFIED BY
ISSUE	C	DATE	CERTIFIED BY
ISSUE	D	DATE	CERTIFIED BY



CLIENT:		
FRAME	KW	RPM
VOLTS		

OUTLINE DIMENSIONS FOOT-FLANGE MOUNTED MOTORS

SHAFT EXT.DE ONLY

WEIGHT

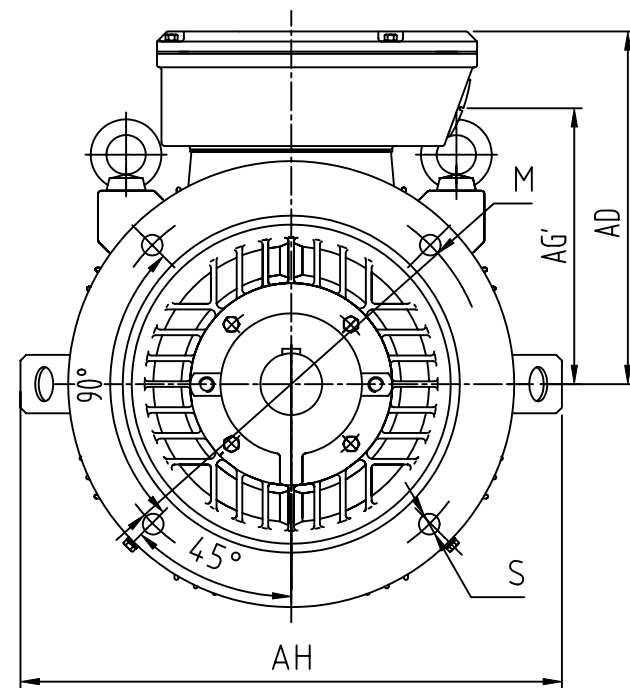
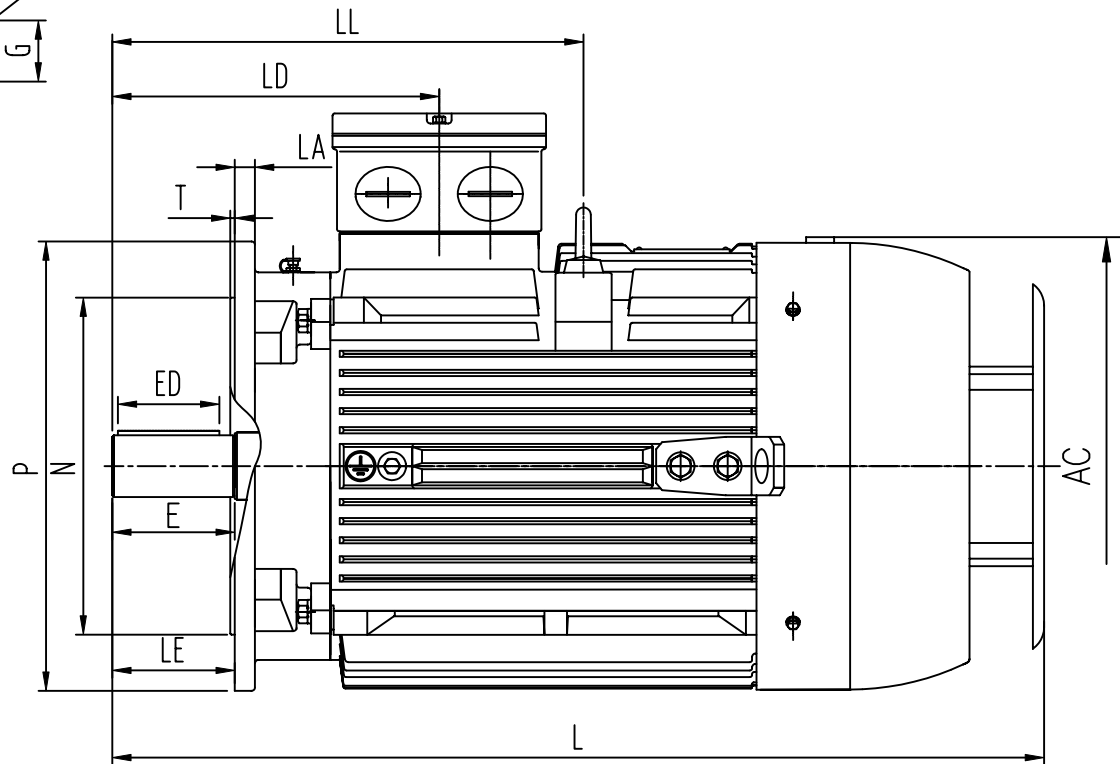
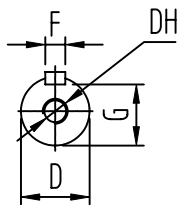
A	AA	AB	AC	B	BA	BA'	BB	C	H	HA	HB	HD	K	KK	L	LA	LD	D	DH	E	ED	F	G
318	85	395	φ420	305	71	71	370	133	200	25	447	524	φ18.5	M50X1.5	770	17	291	φ55 ^{+0.03} _{+0.011}	M20X42	110	90	16	4.9 ⁰ _{-0.2}

LE	LL	M	N	P	S	T
110	419.5	φ350	φ300	φ400	4×φ18.5	5

CUSTOMER APPROVAL _____
 SIGNATURE _____ DATE _____

1L200 2~8P (B35)
 DIMENSION OUTLINE
 1L200003

DATE	2002.01.20	CHK	Qu Huolong
DRAWN	Yu Haijun	APPD	Zhang Wenbin
ISSUE A	DATE	CERTIFIED BY	
ISSUE B	DATE	CERTIFIED BY	
ISSUE C	DATE	CERTIFIED BY	
ISSUE D	DATE	CERTIFIED BY	



CLIENT:

FRAME

VOLTS

KW

RPM

OUTLINE DIMENSIONS FLANGE MOUNTED MOTORS

SHAFT EXT.DE ONLY

WEIGHT

AC	AD	AH	AG'	KK	L	LA	LD	LE	LL	M	N	P	S	T				D	DH	E	ED	F	G
φ420	324	547	247	M50X1.5	840	17	291	110	419.5	φ350	φ300	φ400	4×φ18.5	5				φ55 ^{+0.03} _{+0.011}	M20×4.2	110	90	16	49 ⁰ _{-0.2}

CUSTOMER APPROVAL _____

SIGNATURE

DATE

1L200 2~8P (V1)
DIMENSION OUTLINE

1L200004

DATE	2002.01.20	CHK	QuHualong
DRAWN	YuHajun	APPD	ZhangWenbin
ISSUE	A	DATE	CERTIFIED BY
ISSUE	B	DATE	CERTIFIED BY
ISSUE	C	DATE	CERTIFIED BY
ISSUE	D	DATE	CERTIFIED BY