

CLIENT:		
FRAME	KW	RPM
VOLTS		

OUTLINE DIMENSIONS FOOT MOUNTED MOTORS

SHAFT EXT.DE ONLY

WEIGHT

A	AA	AB	AC	B	BA	BA'	BB	C	H	HA	HB	HD	K	KK	L	LD	LL	D	DH	E	ED	F	G	
279	74	350	φ380	241(180M) 279(180L)	50(180M) 88(180L)	50(180M) 88(180L)	297(180M) 335(180L)	121	180	22	397	455	φ14.5	M40x1.5	685(180M) 720(180L)	273	383	φ48 <sup>+0.018</sup> φ48 <sup>+0.002</sup>	M16x36	110	90	14	42.5 <sup>0</sup> -0.020	

CUSTOMER APPROVAL \_\_\_\_\_

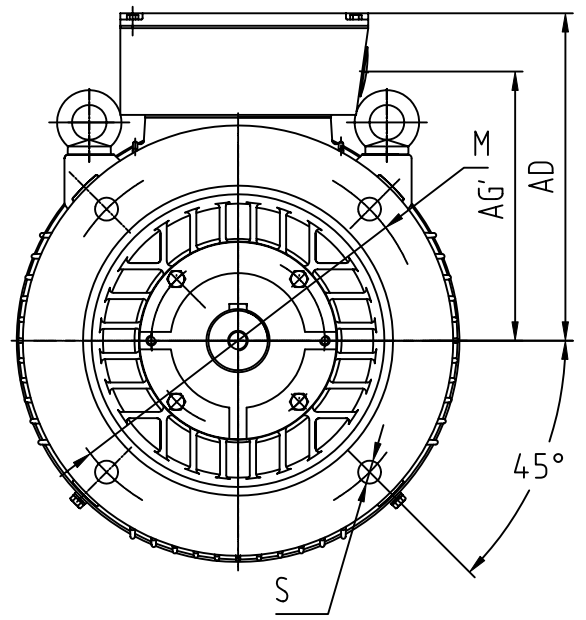
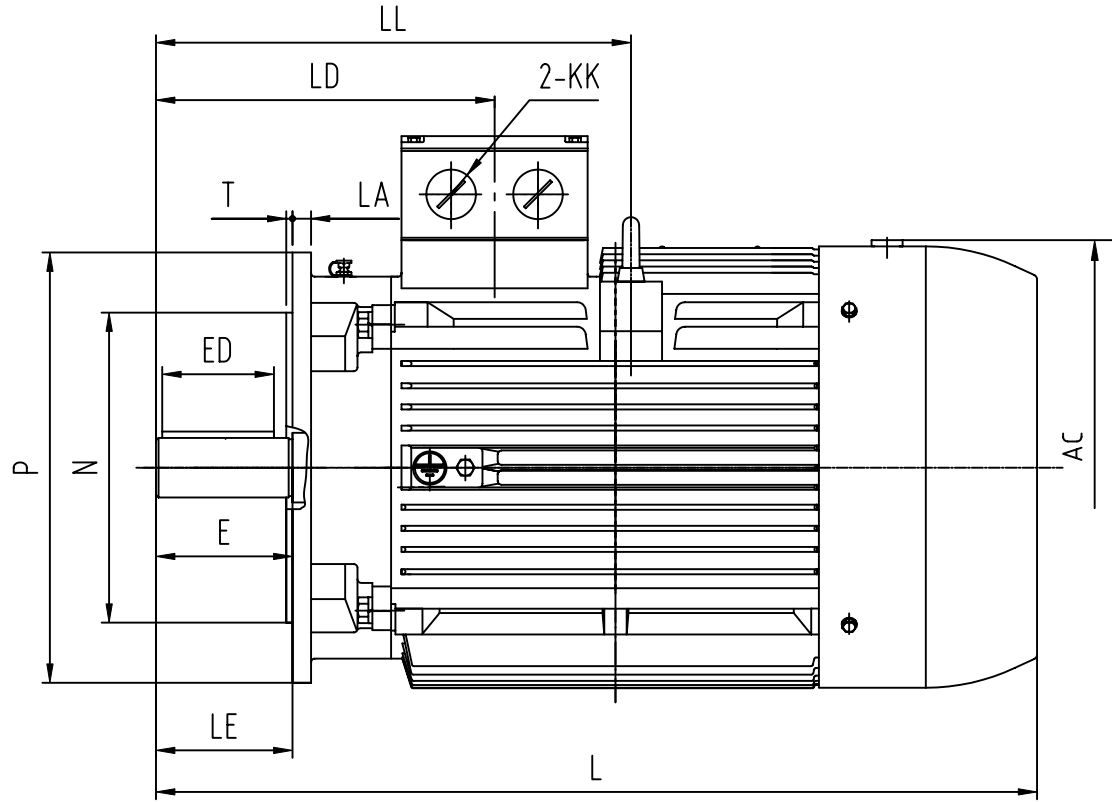
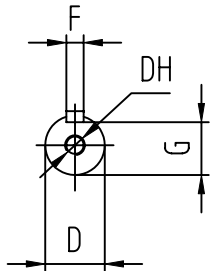
SIGNATURE

DATE

11180 2-8P (B3)  
DIMENSION OUTLINE

1L180001

DATE	2002.01.20	CHK	Qu Hudong
DRAWN	Liu Jiajing	APPD	Zhang Wenbin
ISSUE A	DATE	CERTIFIED BY	
ISSUE B	DATE	CERTIFIED BY	
ISSUE C	DATE	CERTIFIED BY	
ISSUE D	DATE	CERTIFIED BY	



CLIENT:		
FRAME	KW	RPM
VOLTS		

OUTLINE DIMENSIONS FLANGE MOUNTED MOTORS

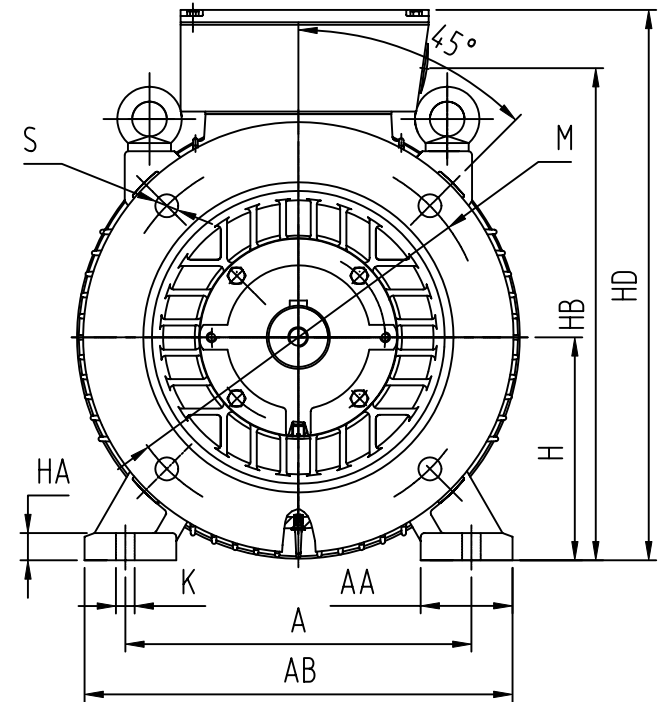
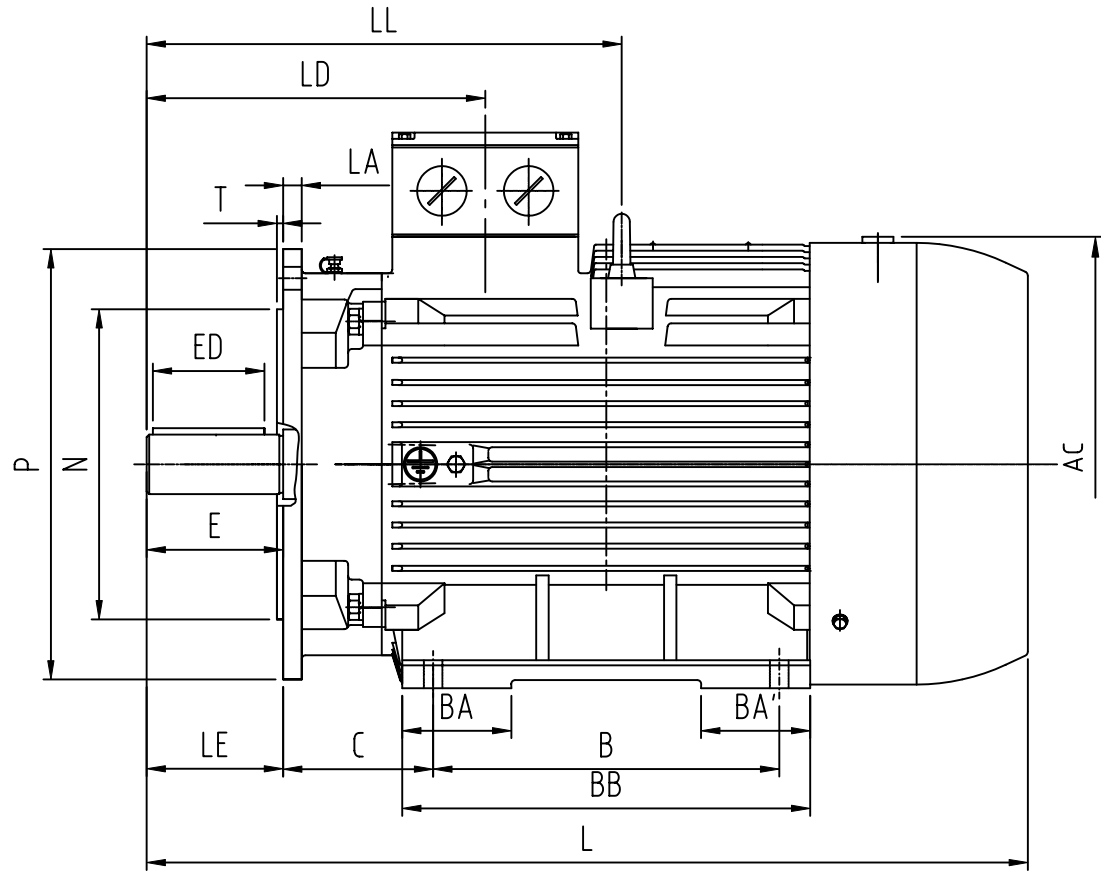
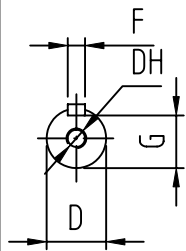
SHAFT EXT.DE ONLY

WEIGHT

AC	AD	AG'	KK	L	LA	LD	LE	LL	M	N	P	S	T					D	DH	E	ED	F	G
φ380	275	217	M40x1.5	685(180M) 720(180L)	15	273	110	383	φ300	φ250	φ350	4×φ18.5	5					φ48 <sup>+0.018</sup> <sub>+0.002</sub>	M16×36	110	90	14	4.2.5 <sup>0</sup> <sub>-0.20</sub>

CUSTOMER APPROVAL \_\_\_\_\_  
SIGNATURE DATE

1L180 2-8P (B5) DIMENSION OUTLINE	DATE	2002.01.20	CHK	Qu Huadong
	DRAWN	Liu Jiajing	APPD	Zhang Wenbin
1L180002	ISSUE A	DATE	CERTIFIED BY	
	ISSUE B	DATE	CERTIFIED BY	
	ISSUE C	DATE	CERTIFIED BY	
	ISSUE D	DATE	CERTIFIED BY	



CLIENT:

FRAME	KW
VOLTS	RPM

OUTLINE DIMENSIONS FOOT-FLANGE MOUNTED MOTORS

SHAFT EXT.DE ONLY

WEIGHT

A	AA	AB	AC	B	BA	BA'	BB	C	H	HA	HB	HD	K	KK	L	LA	LD	D	DH	E	ED	F	G
279	74	350	φ380	241(1L180M) 279(1L180L)	50 88	50 88	297(1L180M) 335(1L180L)	121	180	22	397	455	φ14.5	M40X1.5	685(1L180M) 720(1L180L)	15	273	φ48 <sup>+0.018</sup> <sub>+0.002</sub>	M16X36	110	90	14	4.2.5 <sup>0</sup> <sub>-0.20</sub>

LE	LL	M	N	P	S	T
110	383	φ300	φ250	φ350	4Xφ18.5	5

CUSTOMER APPROVAL

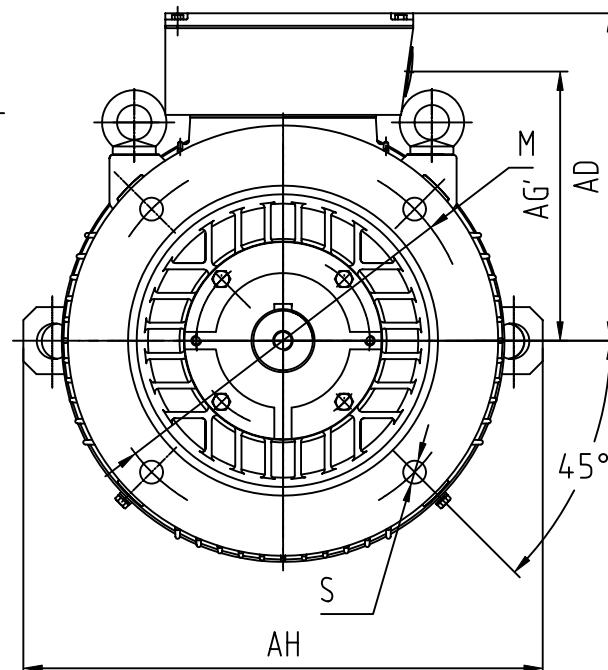
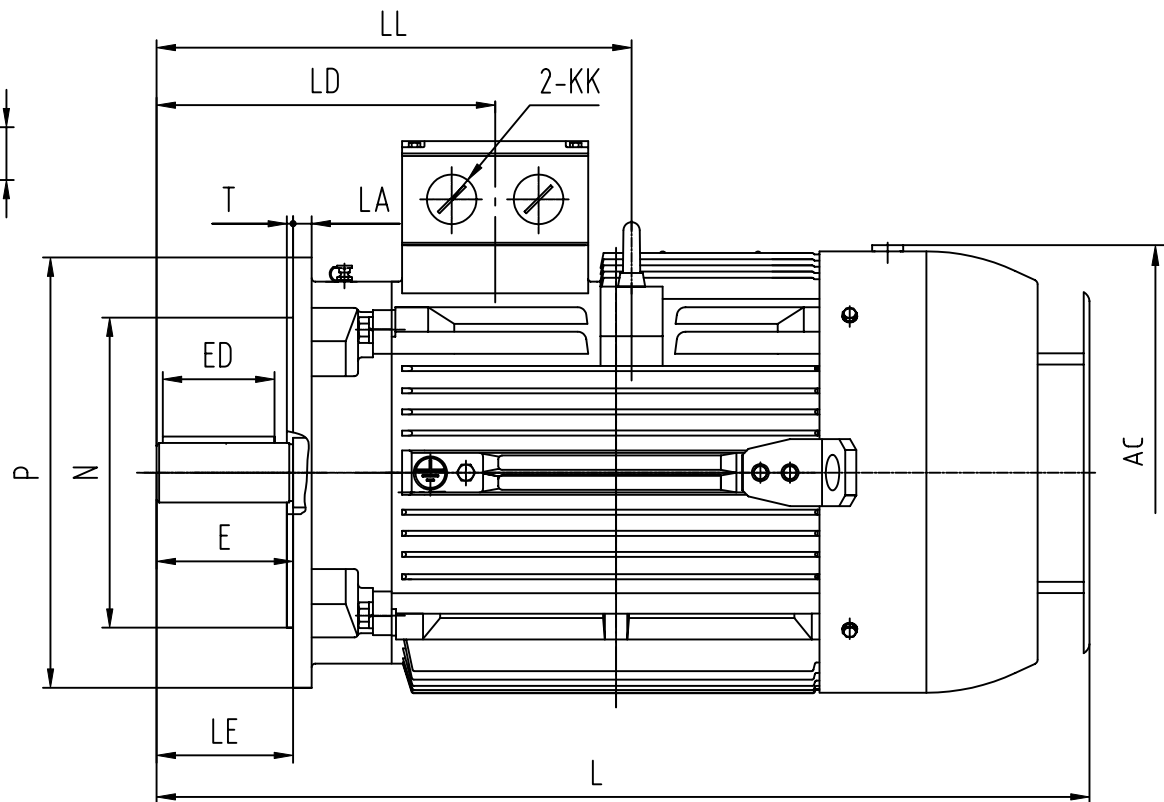
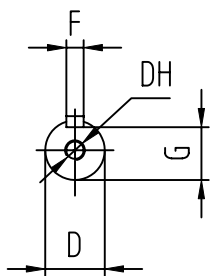
SIGNATURE

DATE

1L180 2-8P (B35)  
DIMENSION OUTLINE

1L180003

DATE	2002.01.20	CHK	Qu Huolong
DRAWN	Liu Jiajing	APPD	Zhang Wenbin
ISSUE A	DATE	CERTIFIED BY	
ISSUE B	DATE	CERTIFIED BY	
ISSUE C	DATE	CERTIFIED BY	
ISSUE D	DATE	CERTIFIED BY	



CLIENT:		
FRAME	KW	RPM
VOLTS		

OUTLINE DIMENSIONS FLANGE MOUNTED MOTORS

SHAFT EXT.DE ONLY

WEIGHT

AC	AD	AG'	AH	KK	L	LA	LD	LE	LL	M	N	P	S	T				D	DH	E	ED	F	G
φ380	275	217	506	M40x1.5	740(180M) 775(180L)	15	273	110	383	φ300	φ250	φ350	4×φ18.5	5				φ4.8 <sup>+0.018</sup> <sub>+0.002</sub>	M16×36	110	90	14	4.2.5 <sup>0</sup> <sub>-0.20</sub>

CUSTOMER APPROVAL \_\_\_\_\_  
SIGNATURE DATE

1L180 2-8P (V1) DIMENSION OUTLINE	DATE	2002.01.20	CHK	Qu Hudong
	DRAWN	Liu Jiajing	APPD	Zhang Wenbin
	ISSUE A	DATE	CERTIFIED BY	
	ISSUE B	DATE	CERTIFIED BY	
1L180004	ISSUE C	DATE	CERTIFIED BY	
	ISSUE D	DATE	CERTIFIED BY	