

CLIENT:			
FRAME	KW	RPM	
VOLTS			

OUTLINE DIMENSIONS FOOT MOUNTED MOTORS

SHAFT EXT.DE ONLY

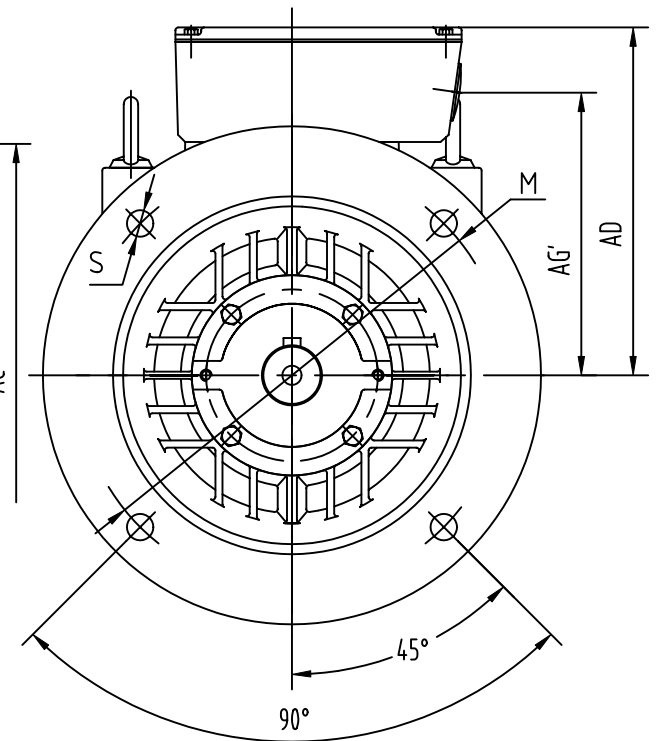
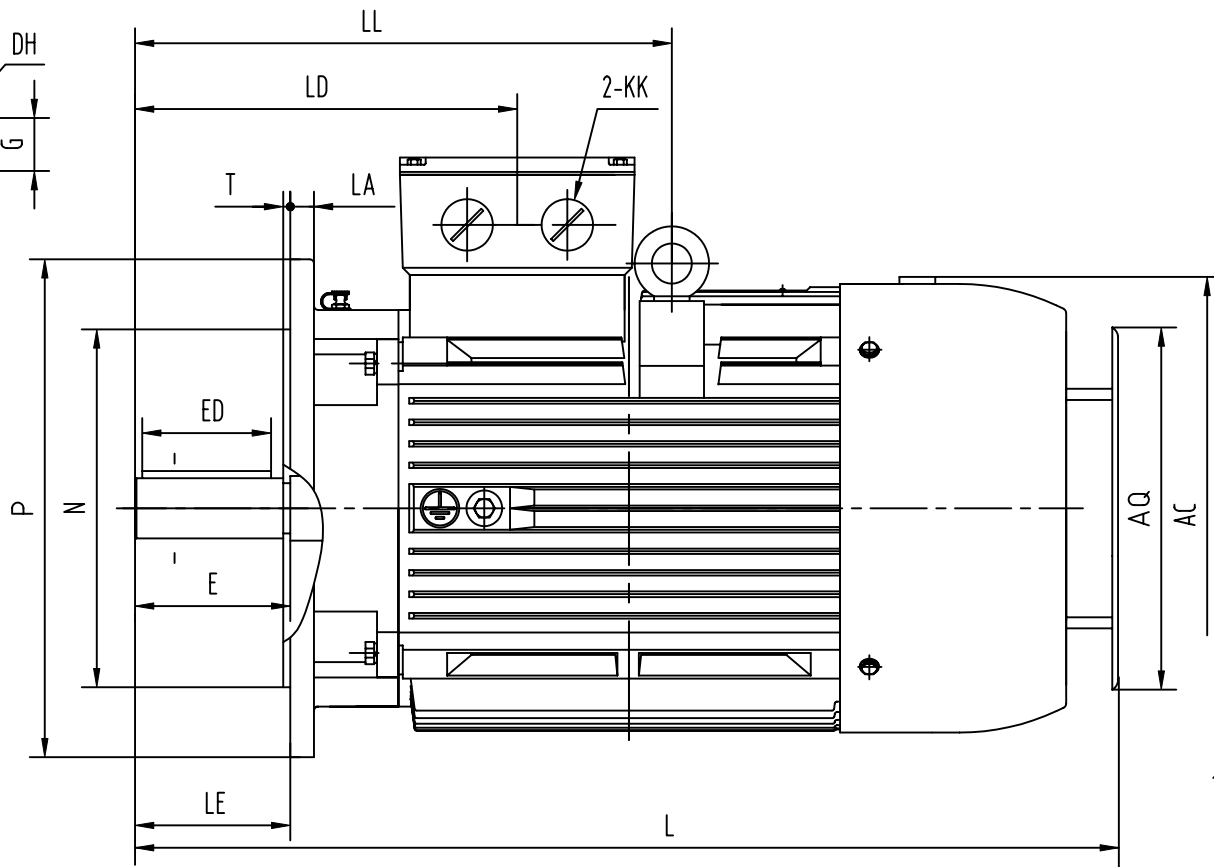
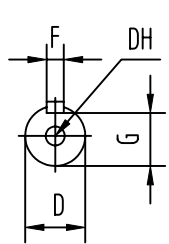
WEIGHT

A	AA	AB	AC	B		BA		BA'		BB		C	H	HA	HB	HD	K	KK	D	DH	E	ED	F	G
254	67	320	φ330	210(160M)	254(160L)	62(160M)	94(160L)	62(160M)	94(160L)	260(160M)	305(160L)	108	160	19	360	410	φ14.5	M40X1.5	φ42 ^{+0.018} _{+0.002}	M16X36	110	90	12	37 ⁰ _{-0.20}

	L	LD	LL
610(160M)	655(160L)	268	375

CUSTOMER APPROVAL _____
SIGNATURE _____ DATE _____

1L160 2-8P (B3) DIMENSION OUTLINE	DATE	2001/01/20	CHK	Qu Hualong
	DRAWN	Lin Zhixin	APPD	Zhang Wenbin
	ISSUE/LZX	DATE	CERTIFIED BY	
	ISSUE	DATE	CERTIFIED BY	
1L160001	ISSUE	DATE	CERTIFIED BY	
	ISSUE	DATE	CERTIFIED BY	



CLIENT:

FRAME	KW
VOLTS	RPM

OUTLINE DIMENSIONS FLANGE MOUNTED MOTORS

SHAFT EXT.DE ONLY

WEIGHT

AC	AD	AG'	KK	L	LA	LD	LE	LL	M	N	P	S	T				D	DH	E	ED	F	G	
φ330	250	200	M4.0X1.5	610(160M) 655(160L)	15	268	110	375	φ300	φ250	φ350	4Xφ18.5	5				φ42 ^{+0.018} +0.002	M16X36	110	90	12	37 ⁰ -0.20	

CUSTOMER APPROVAL _____

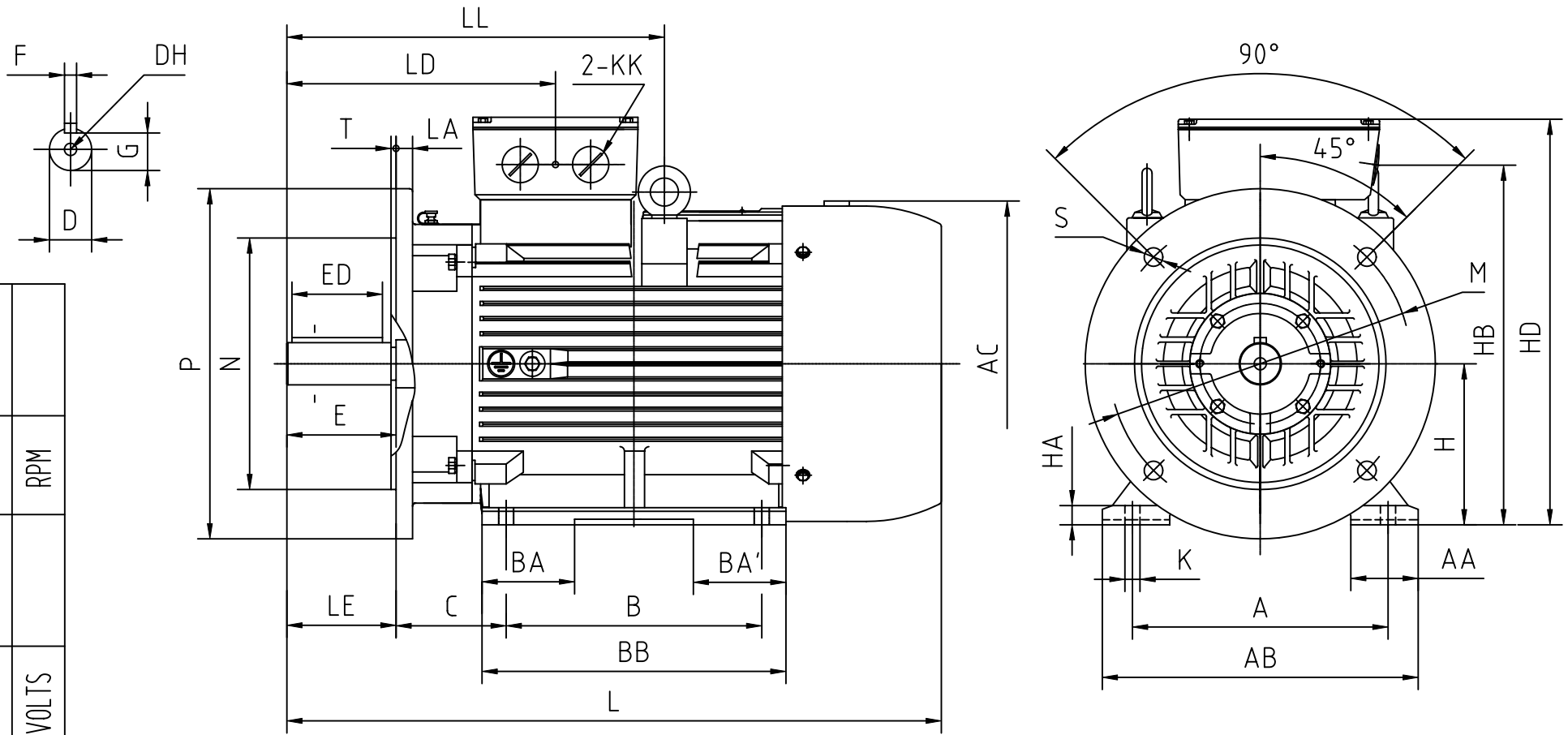
SIGNATURE

DATE

1L1602.4.6.8P (B5)
DIMENSION OUTLINE

1L160002

DATE	2001.01.20	CHK	Qu Huolong
DRAWN	Lin Zhixin	APPD	Zhang Wenbin
ISSUE/LZX	DATE	01.12.18	CERTIFIED BY
ISSUE	DATE		CERTIFIED BY
ISSUE	DATE		CERTIFIED BY
ISSUE	DATE		CERTIFIED BY



CLIENT:		
FRAME	KW	RPM
VOLTS		

OUTLINE DIMENSIONS FOOT-FLANGE MOUNTED MOTORS

SHAFT EXT.DE ONLY

WEIGHT

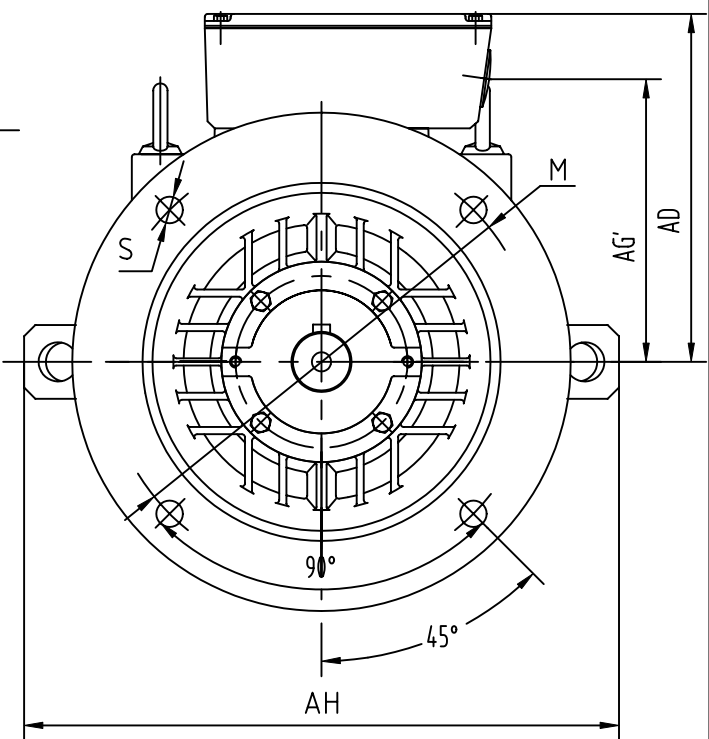
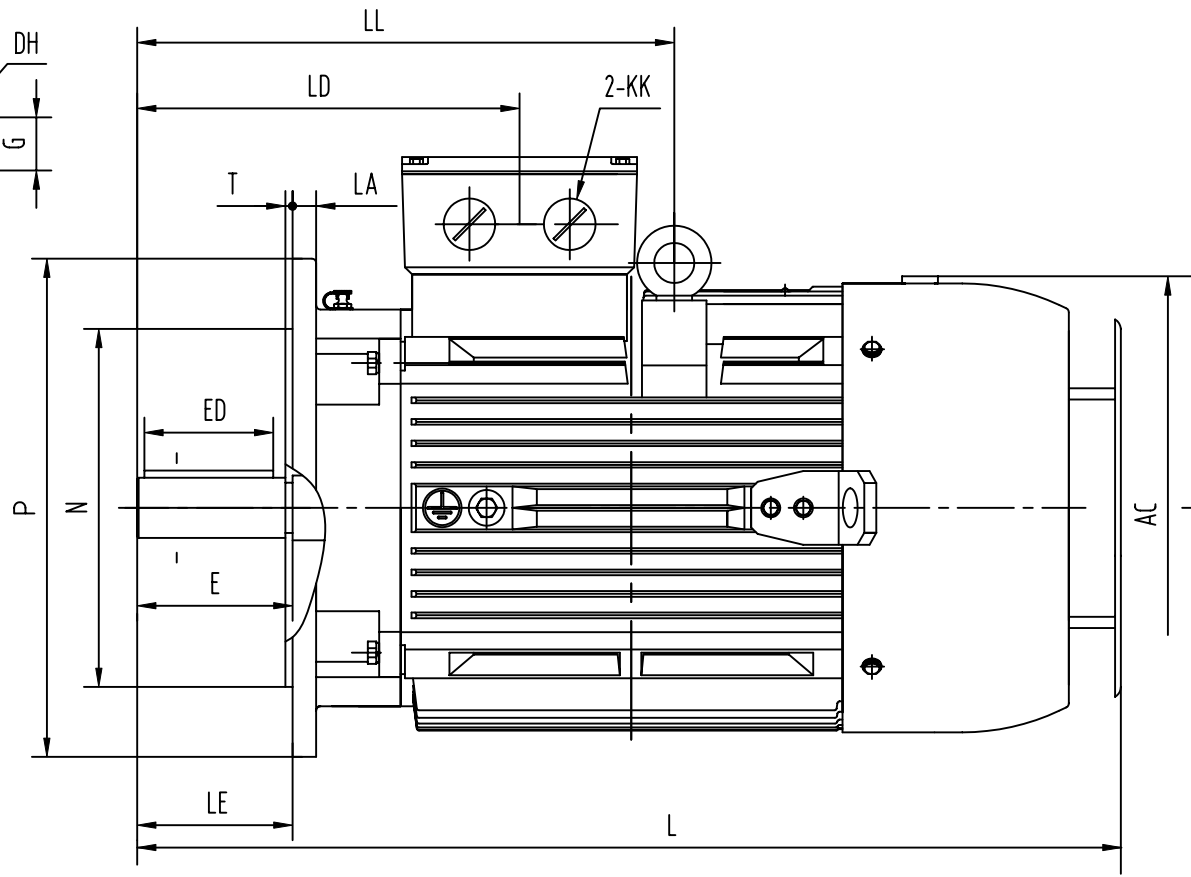
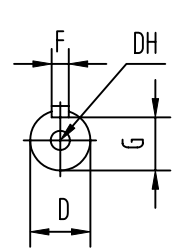
A	AA	AB	AC	B		BA	BA'	BB		C	H	HA	HB	HD	K	KK	LA	D	DH	E	ED	F	G		
254	67	320	φ330	210(160M)	254(160L)	62(160M)	94(160L)	62(160M)	94(160L)	260(160M)	305(160L)	108	160	19	360	410	φ14.5	M40X1.5	15	φ4.2 ^{+0.018} _{+0.002}	M16X36	110	90	12	37 ⁰ _{-0.20}

L		LD	LE	LL	M	N	P	S	T
610(160M)	655(160L)	268	110	375	φ300	φ250	φ350	4Xφ18.5	5

CUSTOMER APPROVAL _____
SIGNATURE DATE

1L160-2.4.6.8P (B35)
DIMENSION OUTLINE
1L160003

DATE	2001.01.20	CHK	Qu Huadong
DRAWN	Lin Zhixin	APPD	Zhang Wenbin
ISSUE	DATE	CERTIFIED BY	
ISSUE	DATE	CERTIFIED BY	
ISSUE	DATE	CERTIFIED BY	
ISSUE	DATE	CERTIFIED BY	



CLIENT:		
FRAME	KW	RPM
VOLTS		

OUTLINE DIMENSIONS FLANGE MOUNTED MOTORS

SHAFT EXT.DE ONLY

WEIGHT

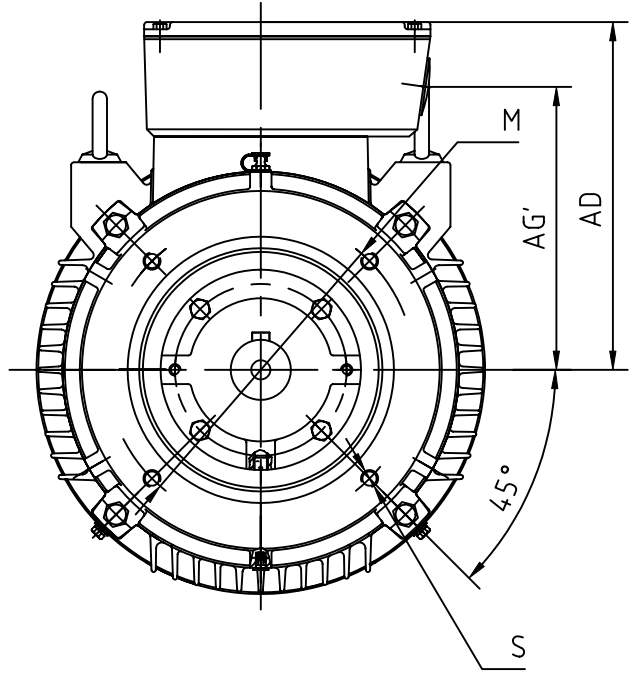
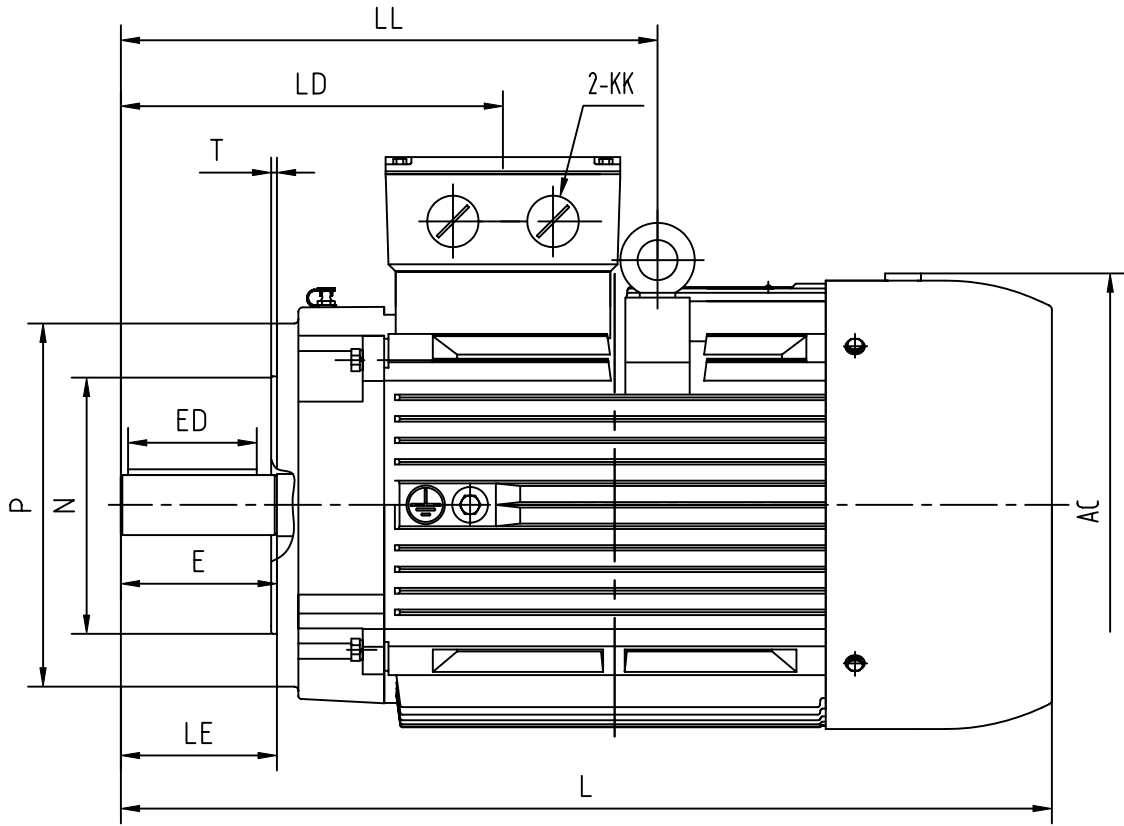
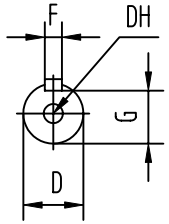
AC	AD	AG'	AH	KK	L	LA	LD	LE	LL	M	N	P	S	T	D	DH	E	ED	F	G
φ330	250	200	464	M40X1.5	655(160M) 700(160L)	15	268	110	375	φ300	φ250	φ350	4Xφ18.5	5	φ42 ^{+0.018} +0.002	M16X36	110	90	12	37 ⁰ -0.20

CUSTOMER APPROVAL _____
SIGNATURE DATE

1L1602.4.6.8P (V1)
DIMENSION OUTLINE

1L160004

DATE	2001.01.20	CHK	Qu Hualong
DRAWN	Lin Zhixin	APPD	Zhang Wenbin
ISSUE/LZX	DATE	01.12.18	CERTIFIED BY
ISSUE	DATE		CERTIFIED BY
ISSUE	DATE		CERTIFIED BY
ISSUE	DATE		CERTIFIED BY



CLIENT:		
FRAME	KW	RPM
VOLTS		

OUTLINE DIMENSIONS FLANGE MOUNTED MOTORS

SHAFT EXT.DE ONLY

WEIGHT

AC	AD	AG'	KK	L	LD	LE	LL	M	N	P	S	T					D	DH	E	ED	F	G	
φ330	250	200	M4.0X1.5	610(160M) 655(160L)	268	110	375	φ215	φ180	φ250	4XM12	4					φ42 ^{+0.018} +0.002	M16X36	110	90	12	37 ⁰ -0.20	

CUSTOMER APPROVAL _____
SIGNATURE DATE

1L1602.4.6.8P (B14A) DIMENSION OUTLINE	DATE	2002.01.23	CHK	Qu Huolong
	DRAWN	Lin Zhixin	APPD	Zhang Wenbin
1L160005	ISSUE/LZX	DATE	01.12.18	CERTIFIED BY
	ISSUE	DATE		CERTIFIED BY
	ISSUE	DATE		CERTIFIED BY