

CLIENT:		
FRAME	KW	RPM
VOLTS		

OUTLINE DIMENSIONS FOOT MOUNTED MOTORS

SHAFT EXT.DE ONLY

WEIGHT

A	AA	AB	AC	B	BB	C	H	HA	HB	HD	K	KK	L	LD	LL	D	DH	E	ED	F	G
216	52	265	φ275	140(1L132S) 178(1L132M)	245	89	132	16	289.5	330	φ12	M32X1.5	515	188	272.5	φ38 ^{+0.018} _{+0.002}	M12×28	80	63	10	33 ⁰ _{-0.200}

CUSTOMER APPROVAL _____

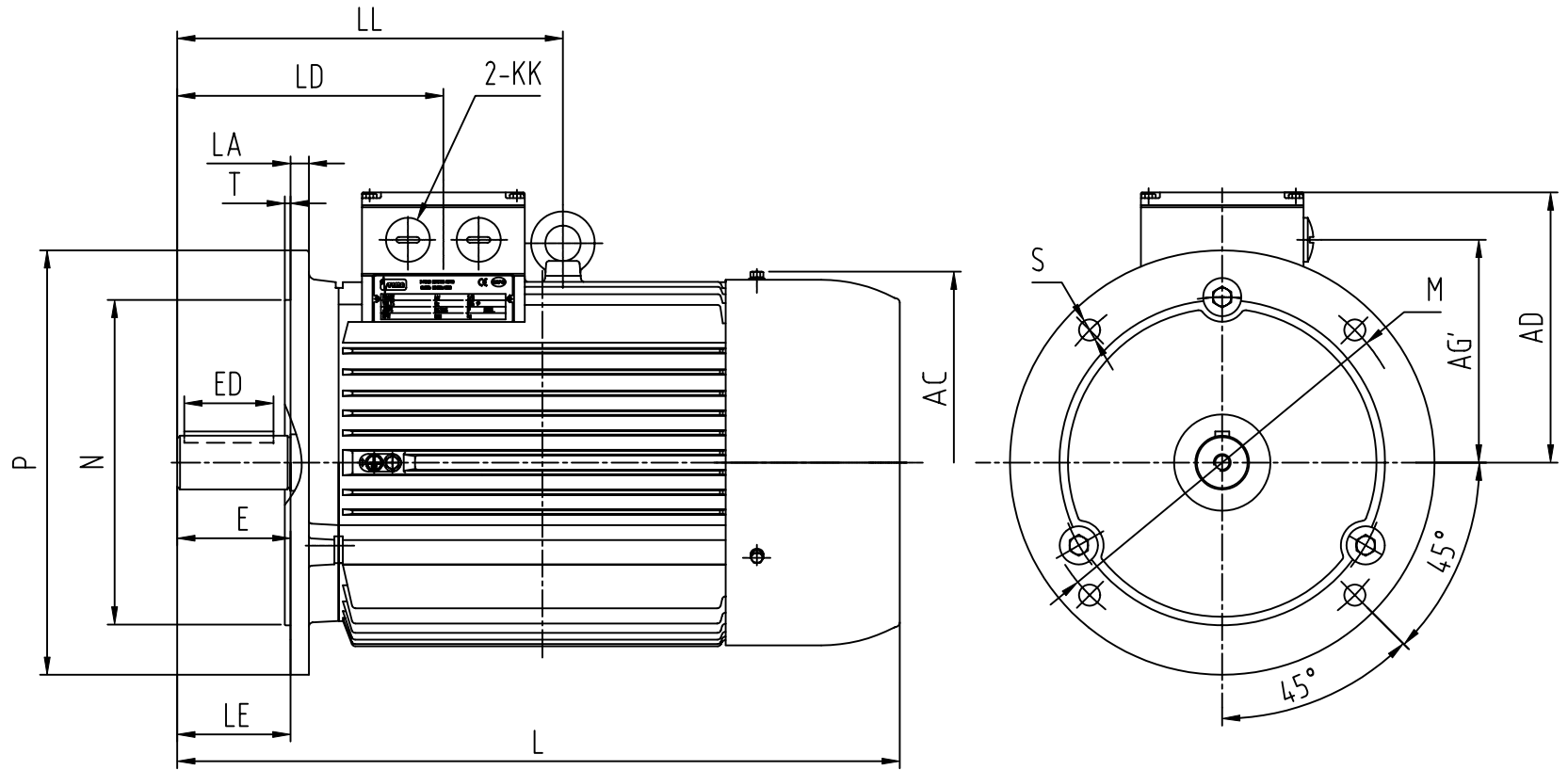
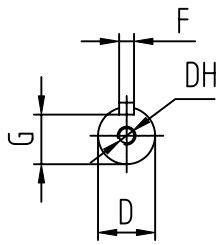
SIGNATURE

DATE

1L132 (B3 2-8P)
DIMENSION OUTLINE

1L132001

DATE	2002.01.20	CHK	Qu Huolong
DRAWN	Li Yan	APPD	Zhang Wenbin
ISSUE	A	DATE	CERTIFIED BY
ISSUE	B	DATE	CERTIFIED BY
ISSUE	C	DATE	CERTIFIED BY
ISSUE	D	DATE	CERTIFIED BY



CLIENT:

FRAME	KW
VOLTS	RPM

OUTLINE DIMENSIONS FLANGE MOUNTED MOTORS

SHAFT EXT.DE ONLY

WEIGHT

AC	AD	AG'	KK	L	LA	LD	LE	LL	M	N	P	S	T					D	DH	E	ED	F	G
φ275	φ198	157.5	M32X1.5	515	13	188	80	272.5	φ265	φ230	φ300	4Xφ15	4					φ38 ^{+0.018} _{+0.002}	M12×28	80	63	10	33 _{-0.200}

CUSTOMER APPROVAL

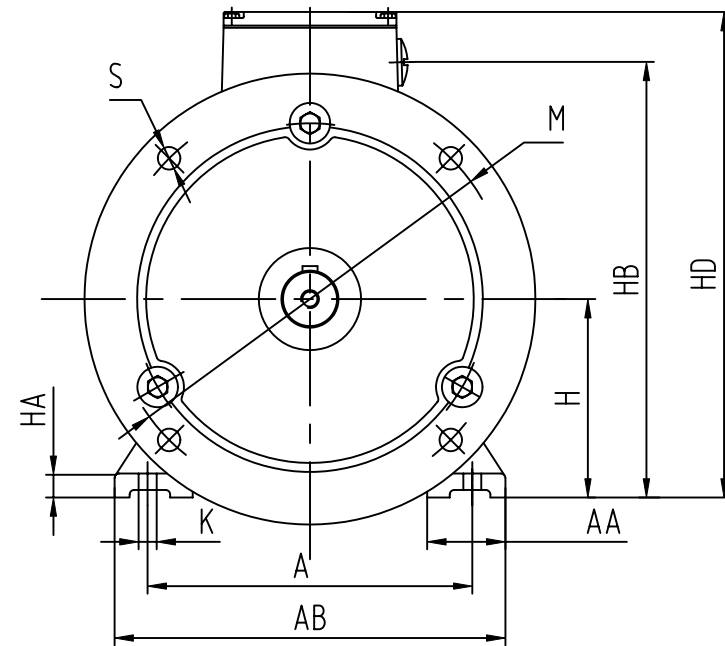
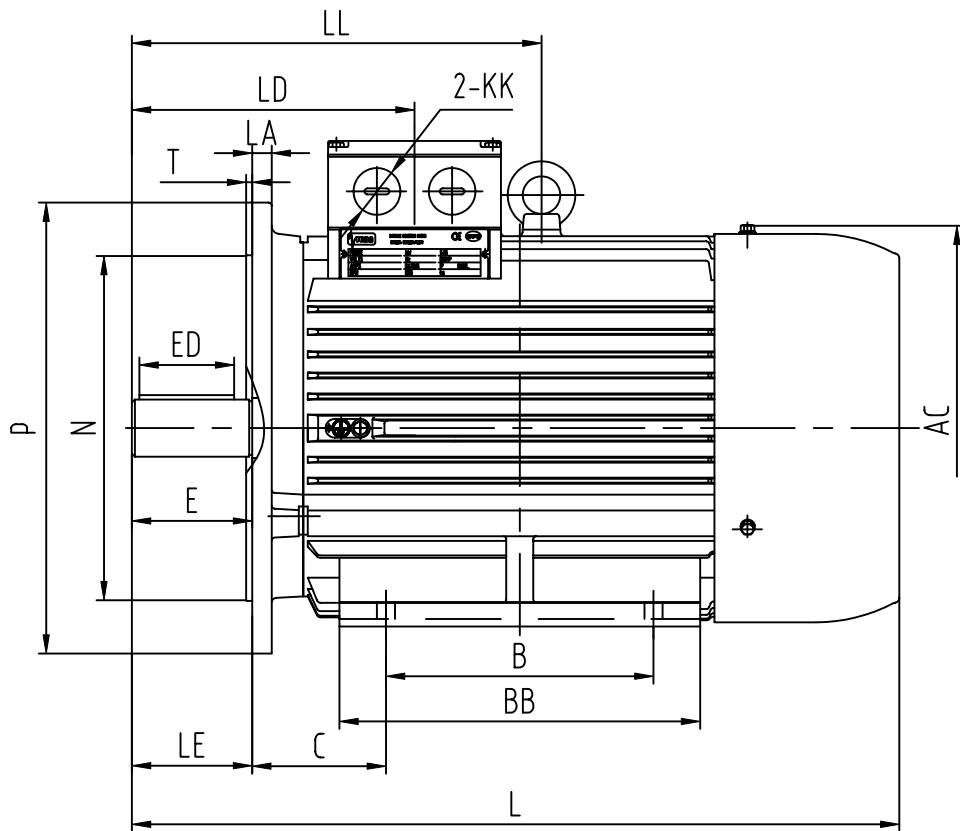
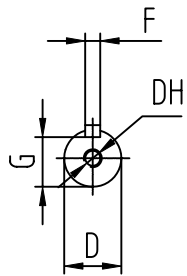
SIGNATURE

DATE

1L132 2~8P (B5)
DIMENSION OUTLINE

1L132002

DATE	2002.01.20	CHK	Qu Huolong
DRAWN	Li Yan	APPD	Zhang Wenbin
ISSUE	A	DATE	CERTIFIED BY
ISSUE	B	DATE	CERTIFIED BY
ISSUE	C	DATE	CERTIFIED BY
ISSUE	D	DATE	CERTIFIED BY



CLIENT:

FRAME	KW
VOLTS	RPM

OUTLINE DIMENSIONS FOOT-FLANGE MOUNTED MOTORS

SHAFT EXT.DE ONLY

WEIGHT

A	AA	AB	AC	B		BB	C	H	HA	HB	HD	K	KK	L	LA	LD	LE	D	DH	E	ED	F	G
216	52	265	φ275	140(1L132S)	178(1L132M)	245	89	132	16	289.5	330	φ12	M32X1.5	515	13	188	80	φ38 ^{+0.018} _{+0.002}	M12X28	80	63	10	33 ⁰ _{-0.200}

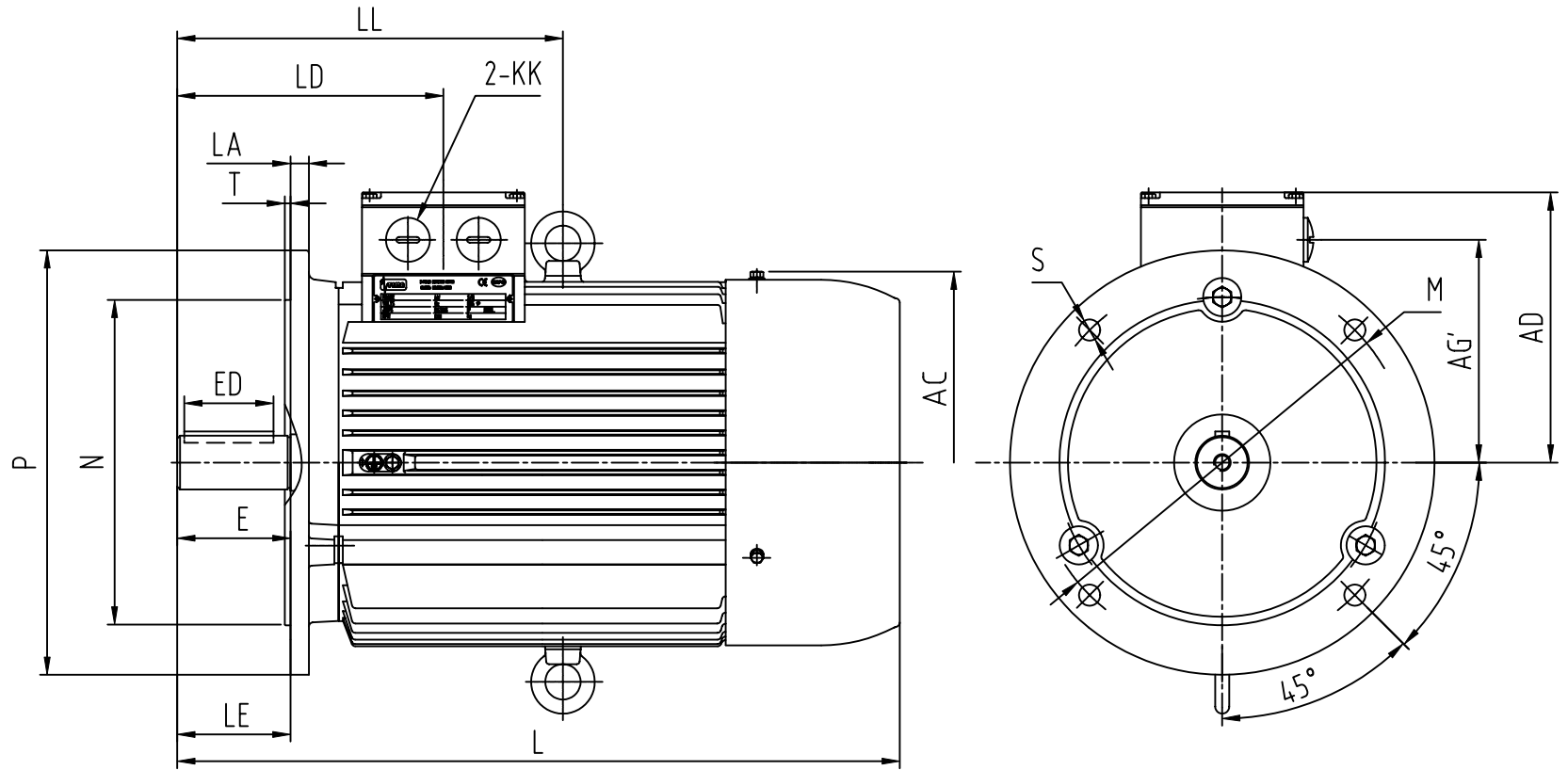
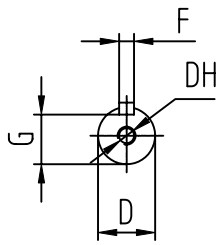
LL	M	N	P	S	T
272.5	φ265	φ230	φ300	4×φ15	4

CUSTOMER APPROVAL _____
SIGNATURE DATE

1L132 2~8P (B35)
DIMENSION OUTLINE

1L132003

DATE	2002.01.20	CHK	Qu Hualong
DRAWN	Li Yan	APPD	Zhang Wenbin
ISSUE A	DATE	CERTIFIED BY	
ISSUE B	DATE	CERTIFIED BY	
ISSUE C	DATE	CERTIFIED BY	
ISSUE D	DATE	CERTIFIED BY	



CLIENT:

FRAME	KW
VOLTS	RPM

OUTLINE DIMENSIONS FLANGE MOUNTED MOTORS

SHAFT EXT.DE ONLY

WEIGHT

AC	AD	AG'	KK	L	LA	LD	LE	LL	M	N	P	S	T					D	DH	E	ED	F	G
φ275	φ198	157.5	M32X1.5	515	13	188	80	272.5	φ265	φ230	φ300	4Xφ15	4					φ38 ^{+0.018} _{+0.002}	M12 X 28	80	63	10	33 _{-0.200}

CUSTOMER APPROVAL

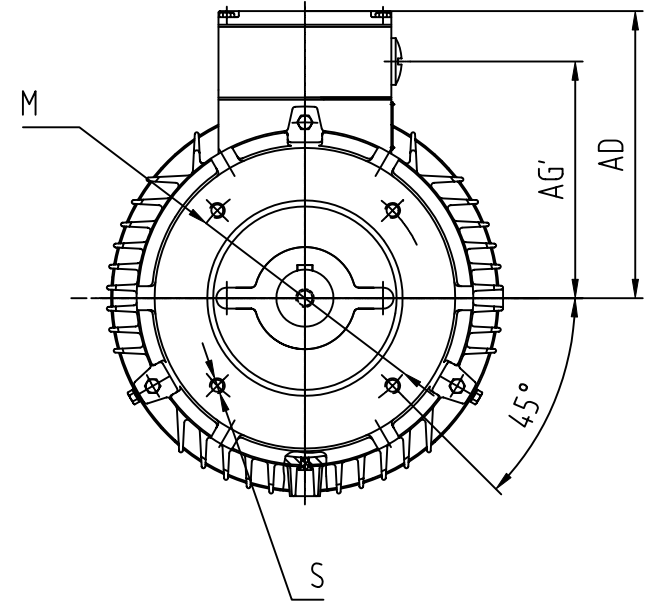
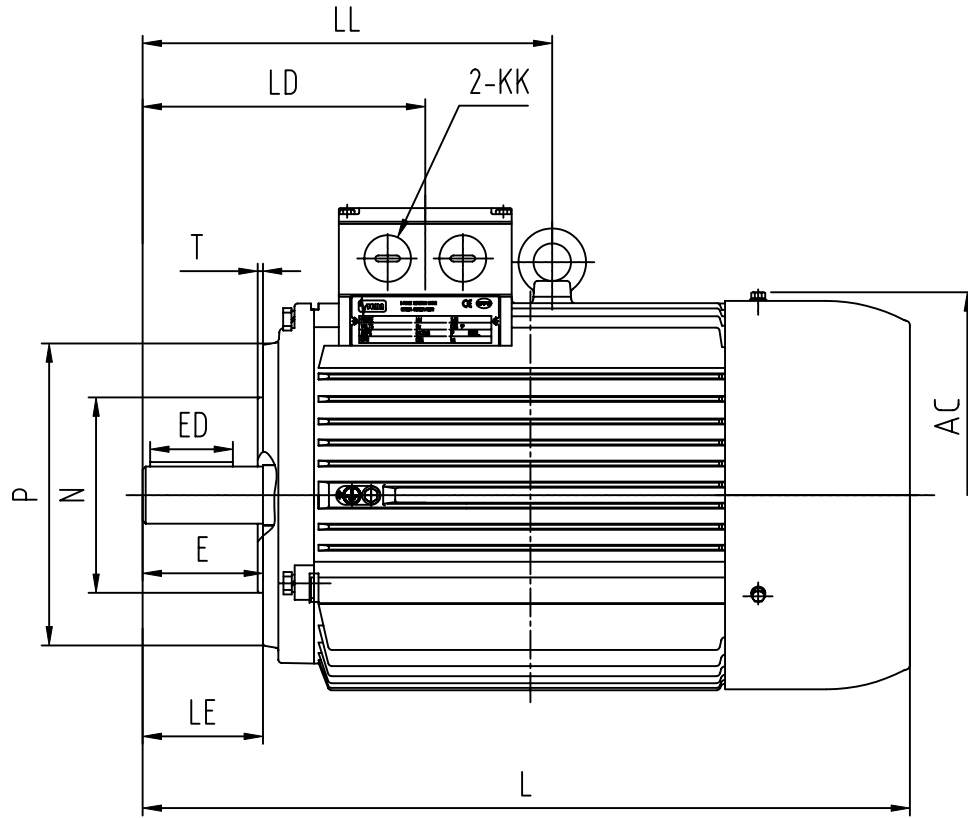
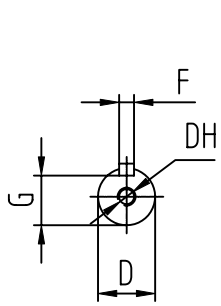
SIGNATURE

DATE

1L132 2~8P (V1)
DIMENSION OUTLINE

1L132004

DATE	2002.01.20	CHK	Qu Huolong
DRAWN	Li Yan	APPD	Zhang Wenbin
ISSUE	A	DATE	CERTIFIED BY
ISSUE	B	DATE	CERTIFIED BY
ISSUE	C	DATE	CERTIFIED BY
ISSUE	D	DATE	CERTIFIED BY



CLIENT:
 FRAME KW
 VOLTS RPM

OUTLINE DIMENSIONS FLANGE MOUNTED MOTORS

SHAFT EXT.DE ONLY

WEIGHT

AC	AD	AG'	KK	L	LD	LE	LL	M	N	P	S	T						D	DH	E	ED	F	G	
φ275	φ198	157.5	M32X1.5	515	188	80	272.5	φ165	φ130	φ200	4XM10	3.5						φ38 ^{+0.018} _{+0.002}	M12×28	80	63	10	33 _{-0.200}	

CUSTOMER APPROVAL _____
 SIGNATURE DATE

1L132 2~8P (B14A) DIMENSION OUTLINE	DATE	2002.01.23	CHK	Qu Huolong
	DRAWN	Li Yan	APPD	Zhang Wenbin
1L132005	ISSUE	A	DATE	CERTIFIED BY
	ISSUE	B	DATE	CERTIFIED BY
	ISSUE	C	DATE	CERTIFIED BY
	ISSUE	D	DATE	CERTIFIED BY