

CLIENT:

FRAME	KW	RPM
VOLTS		

OUTLINE DIMENSIONS FOOT MOUNTED MOTORS

SHAFT EXT.DE ONLY

WEIGHT

A	AA	AB	AC	B	BB	C	H	HA	HB	HD	K	KK	L	LD	LL			D	DH	E	ED	F	G	
190	45	230	φ236	140	195	70	112	14	249.5	287	φ12	M32x1.5	405	163	242			φ28 ^{+0.009} _{-0.004}	M10x22	60	45	8	24 ⁰ _{-0.2}	

CUSTOMER APPROVAL _____

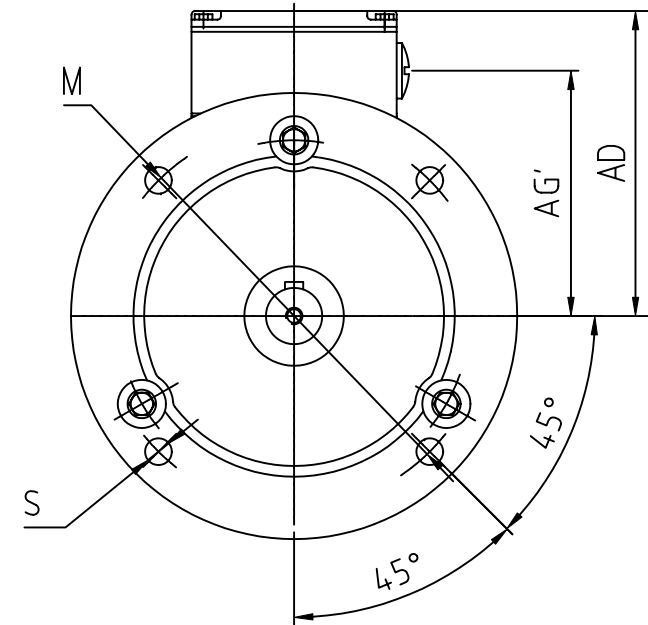
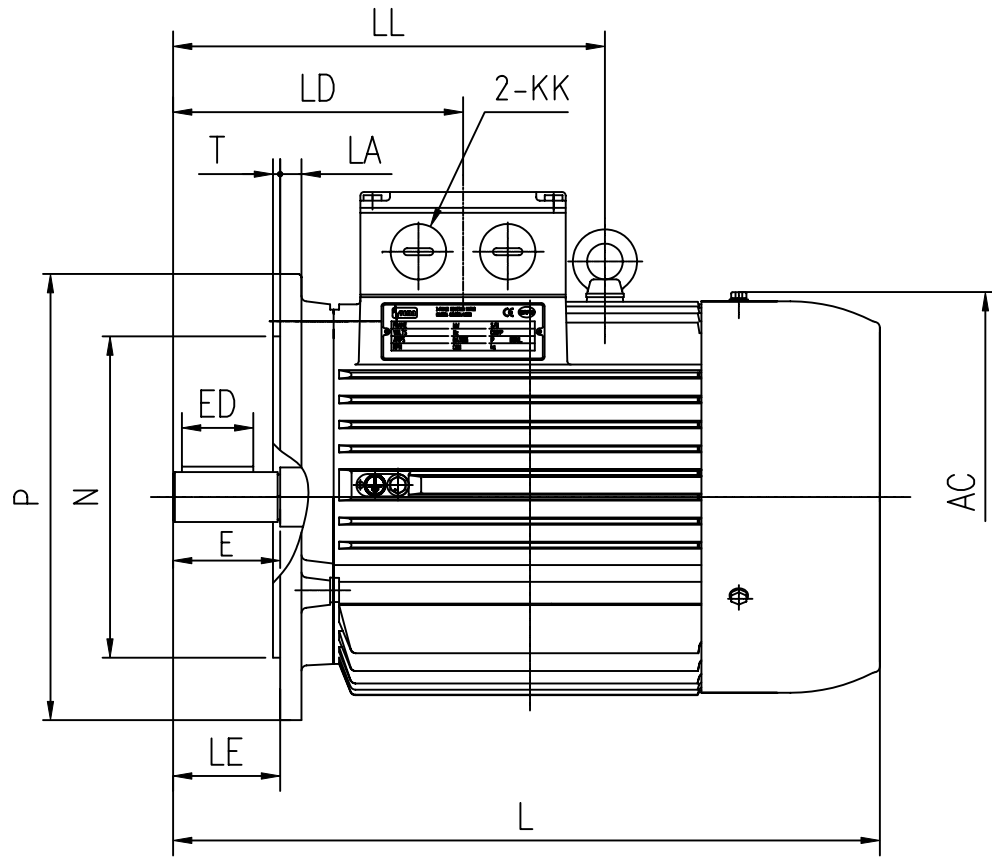
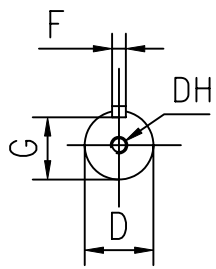
SIGNATURE

DATE

1L112 2-6P (B3)
DIMENSION OUTLINE

1L112001

DATE	2002.01.20	CHK	Qu Huadong
DRAWN	Hao Qiping	APPD	Zhang Wenbin
ISSUE A	DATE	CERTIFIED BY	
ISSUE B	DATE	CERTIFIED BY	
ISSUE C	DATE	CERTIFIED BY	
ISSUE D	DATE	CERTIFIED BY	



CLIENT:

FRAME	KW
VOLTS	RPM

OUTLINE DIMENSIONS FLANGE MOUNTED MOTORS

SHAFT EXT.DE ONLY

WEIGHT

AC	AD	AG'	KK	L	LA	LD	LE	LL	M	N	P	S	T					D	DH	E	ED	F	G
φ236	175	137.5	M32x1.5	405	12	163	60	242	φ215	φ180	φ250	4×φ15	4					φ28 ^{+0.009} _{-0.004}	M10×22	60	45	8	24 ⁰ _{-0.2}

CUSTOMER APPROVAL _____

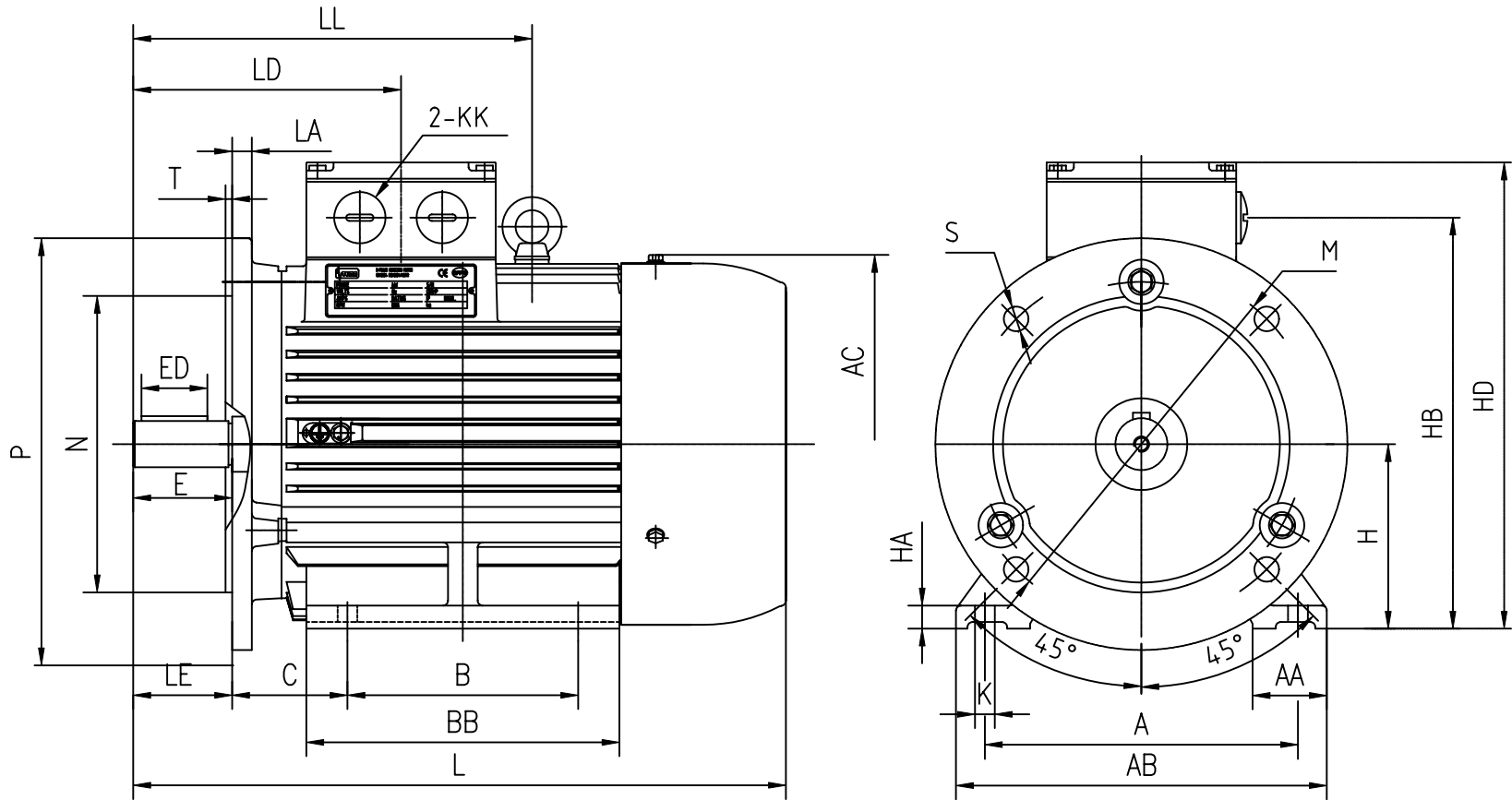
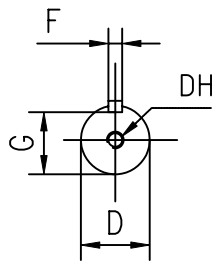
SIGNATURE

DATE

1L112 2-6P (B5)
DIMENSION OUTLINE

1L112002

DATE	2002.01.20	CHK	Qu Huolong
DRAWN	Hao Qingping	APPD	Zhang Wenbin
ISSUE	A	DATE	CERTIFIED BY
ISSUE	B	DATE	CERTIFIED BY
ISSUE	C	DATE	CERTIFIED BY
ISSUE	D	DATE	CERTIFIED BY



CLIENT:

FRAME	KW
VOLTS	RPM

OUTLINE DIMENSIONS FOOT-FLANGE MOUNTED MOTORS

SHAFT EXT.DE ONLY

WEIGHT

A	AA	AB	AC	B	BB	C	H	HA	HB	HD	K	KK	L	LA	LD	LE	LL	D	DH	E	ED	F	G
190	45	230	φ236	140	195	70	112	14	249.5	287	φ12	M32x1.5	405	12	163	60	242	φ28 ^{+0.009} _{-0.004}	M10X22	60	45	8	24 ⁰ _{-0.2}

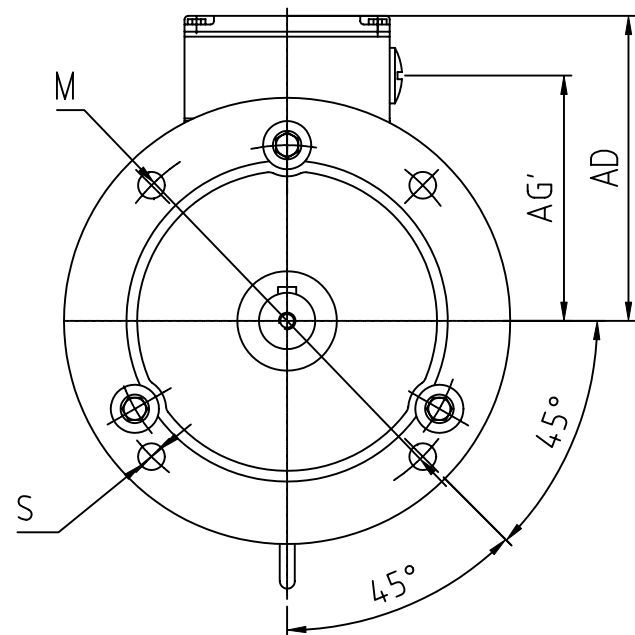
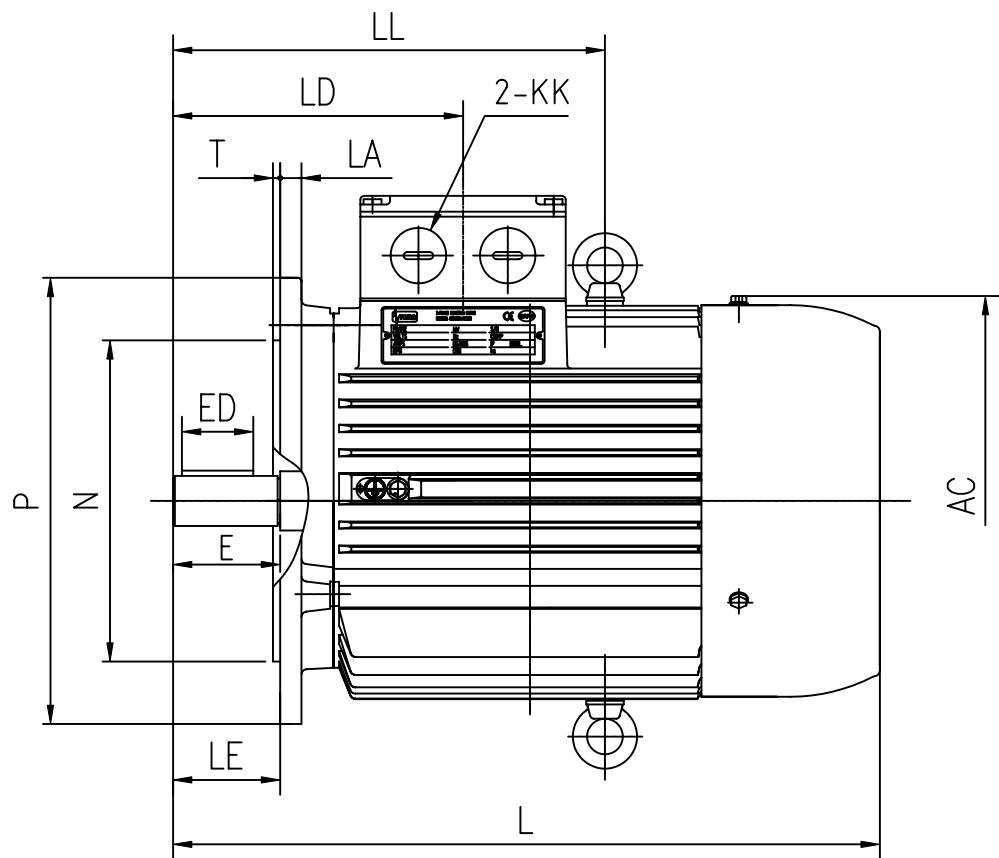
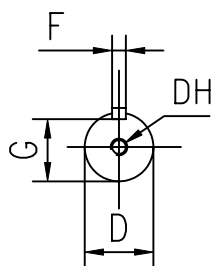
M	N	P	S	T
φ215	φ180	φ250	4Xφ15	4

CUSTOMER APPROVAL _____
SIGNATURE DATE

1L112 2-6P (B35)
DIMENSION OUTLINE

1L112003

DATE	2002.01.20	CHK	Qu Hualong
DRAWN	Hao Qianping	APPD	Zhang Wenbin
ISSUE A	DATE	CERTIFIED BY	
ISSUE B	DATE	CERTIFIED BY	
ISSUE C	DATE	CERTIFIED BY	
ISSUE D	DATE	CERTIFIED BY	



CLIENT:

FRAME	KW
VOLTS	RPM

OUTLINE DIMENSIONS FLANGE MOUNTED MOTORS

SHAFT EXT.DE ONLY

WEIGHT

AC	AD	AG'	KK	L	LA	LD	LE	LL	M	N	P	S	T					D	DH	E	ED	F	G
φ236	175	137.5	M32x1.5	405	12	163	60	242	φ215	φ180	φ250	4×φ15	4					φ28 ^{+0.009} _{-0.004}	M10×22	60	45	8	24 ⁰ _{-0.2}

CUSTOMER APPROVAL

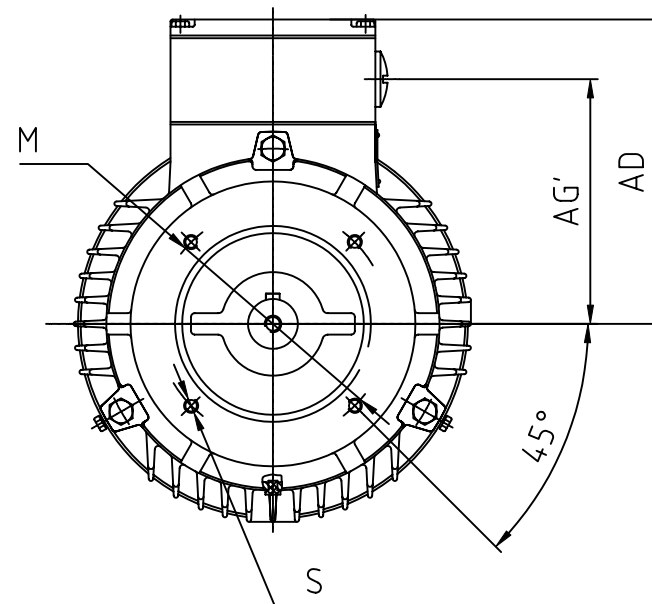
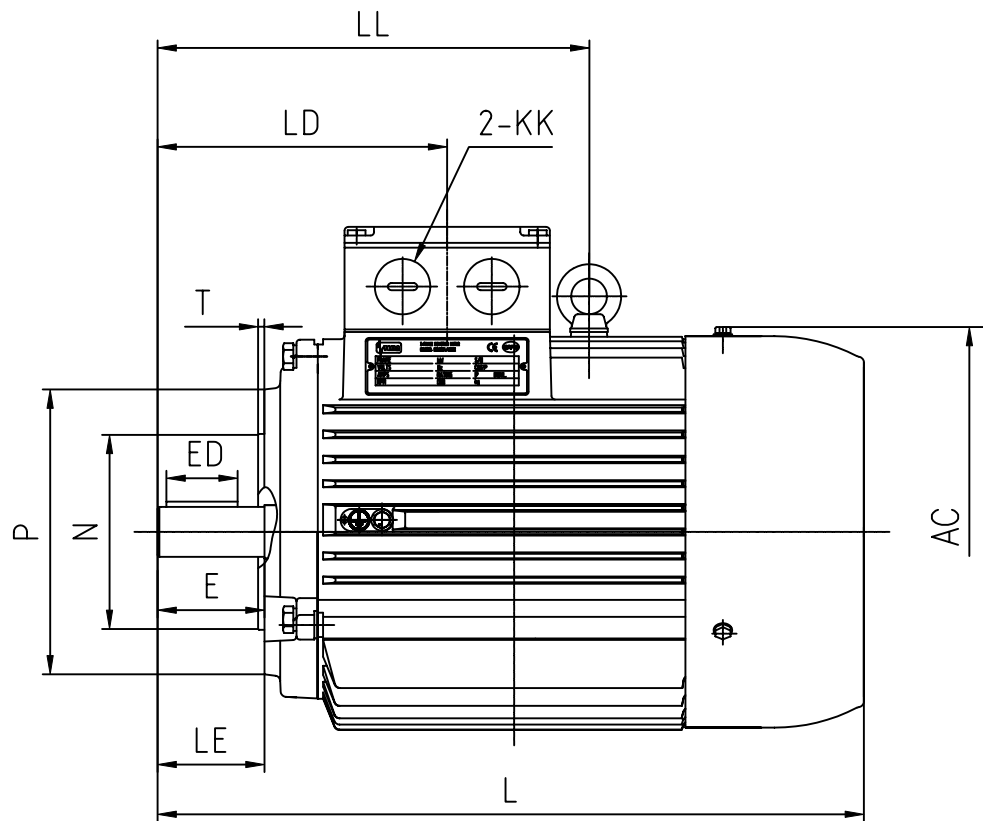
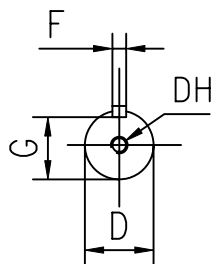
SIGNATURE

DATE

1L112 2-6P (V1)
DIMENSION OUTLINE

1L112004

DATE	2002.01.20	CHK	Qu Huolong
DRAWN	Hao Qingping	APPD	Zhang Wenbin
ISSUE	A	DATE	CERTIFIED BY
ISSUE	B	DATE	CERTIFIED BY
ISSUE	C	DATE	CERTIFIED BY
ISSUE	D	DATE	CERTIFIED BY



CLIENT:

FRAME	KW
VOLTS	RPM

OUTLINE DIMENSIONS FLANGE MOUNTED MOTORS

SHAFT EXT.DE ONLY

WEIGHT

AC	AD	AG'	KK	L	LD	LE	LL	M	N	P	S	T						D	DH	E	ED	F	G
φ236	175	137.5	M32x1.5	405	163	60	242	φ130	φ110	φ160	4×M8	3.5						φ28 ^{+0.009} _{-0.004}	M10×22	60	45	8	24 ⁰ _{-0.2}

CUSTOMER APPROVAL

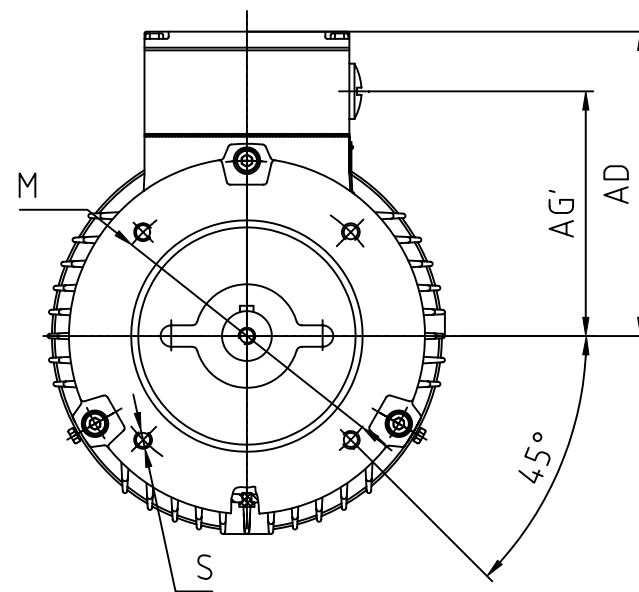
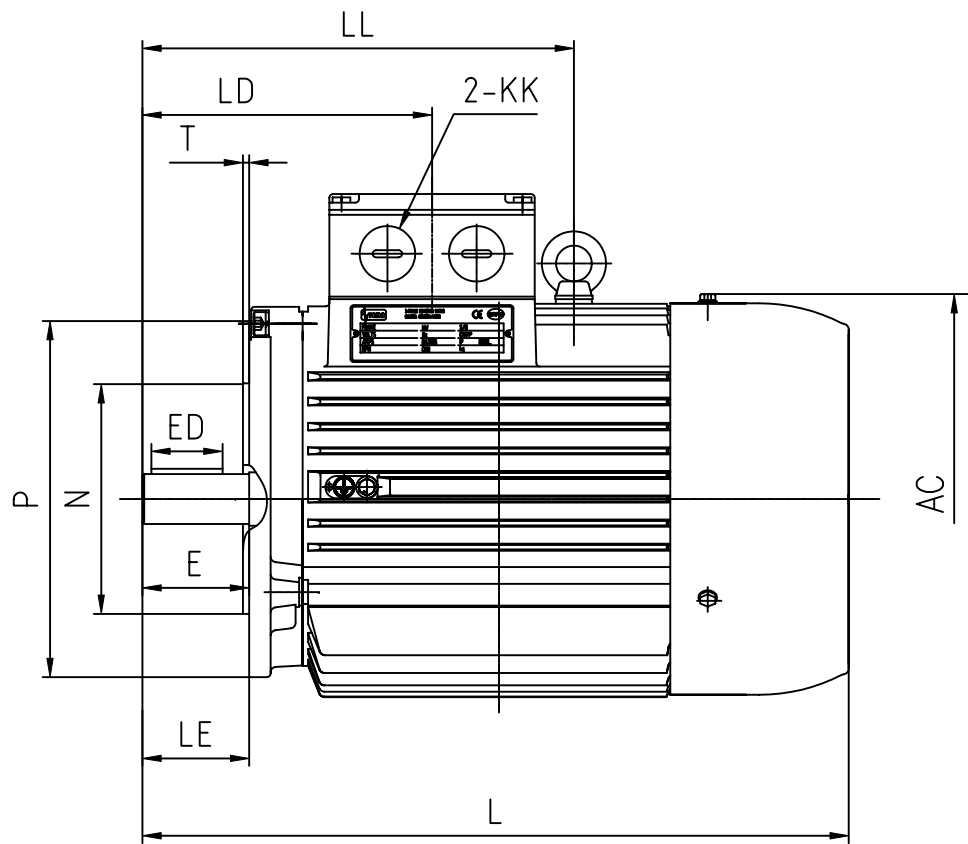
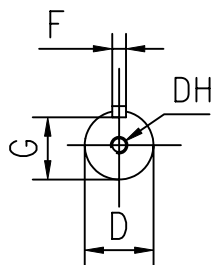
SIGNATURE

DATE

1L112 2-6P (B14A)
DIMENSION OUTLINE

1L112005

DATE	2002.01.23	CHK	Qu Huolong
DRAWN	Hao Qiping	APPD	Zhang Wenbin
ISSUE	A	DATE	CERTIFIED BY
ISSUE	B	DATE	CERTIFIED BY
ISSUE	C	DATE	CERTIFIED BY
ISSUE	D	DATE	CERTIFIED BY



CLIENT:

FRAME	KW
VOLTS	RPM

OUTLINE DIMENSIONS FLANGE MOUNTED MOTORS

SHAFT EXT.DE ONLY

WEIGHT

AC	AD	AG'	KK	L	LD	LE	LL	M	N	P	S	T						D	DH	E	ED	F	G
φ236	175	137.5	M32x1.5	405	163	60	242	φ165	φ130	φ200	4×M10	3.5						φ28 ^{+0.009} _{-0.004}	M10×22	60	45	8	24 ⁰ _{-0.2}

CUSTOMER APPROVAL

SIGNATURE

DATE

1L112 2-6P (B14B)
DIMENSION OUTLINE

1L112006

DATE	2002.01.23	CHK	Qu Hudong
DRAWN	Hao Qingping	APPD	Zhang Wenbin
ISSUE	A	DATE	CERTIFIED BY
ISSUE	B	DATE	CERTIFIED BY
ISSUE	C	DATE	CERTIFIED BY
ISSUE	D	DATE	CERTIFIED BY