

CLIENT:

FRAME	KW	RPM
VOLTS		

OUTLINE DIMENSIONS FOOT MOUNTED MOTORS

SHAFT EXT.DE ONLY

WEIGHT

A	AA	AB	AC	B	BB	C	H	HA	HB	HD	K	KK	L	LD	LL	D	DH	E	ED	F	G
160	40	200	∅215	140	182	63	100	14	225.5	265	∅12	M32x1.5	385	157	236	∅28 ^{+0.009} _{-0.004}	M10×22	60	45	8	24 ⁰ _{-0.2}

CUSTOMER APPROVAL _____

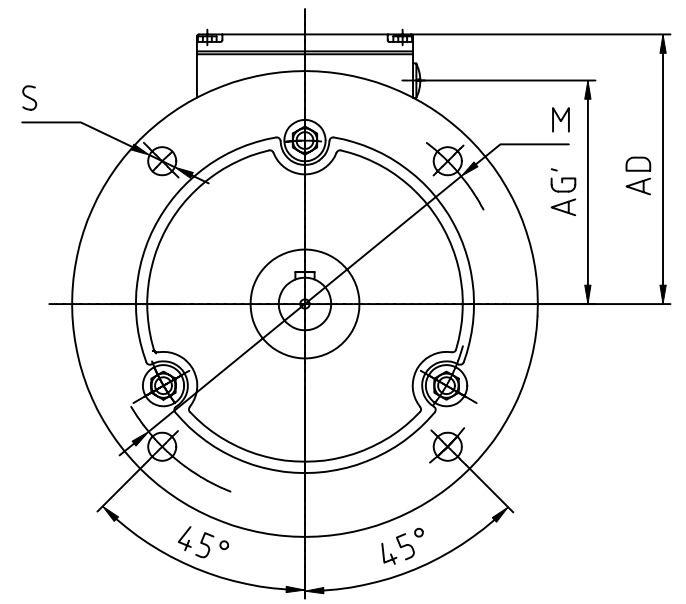
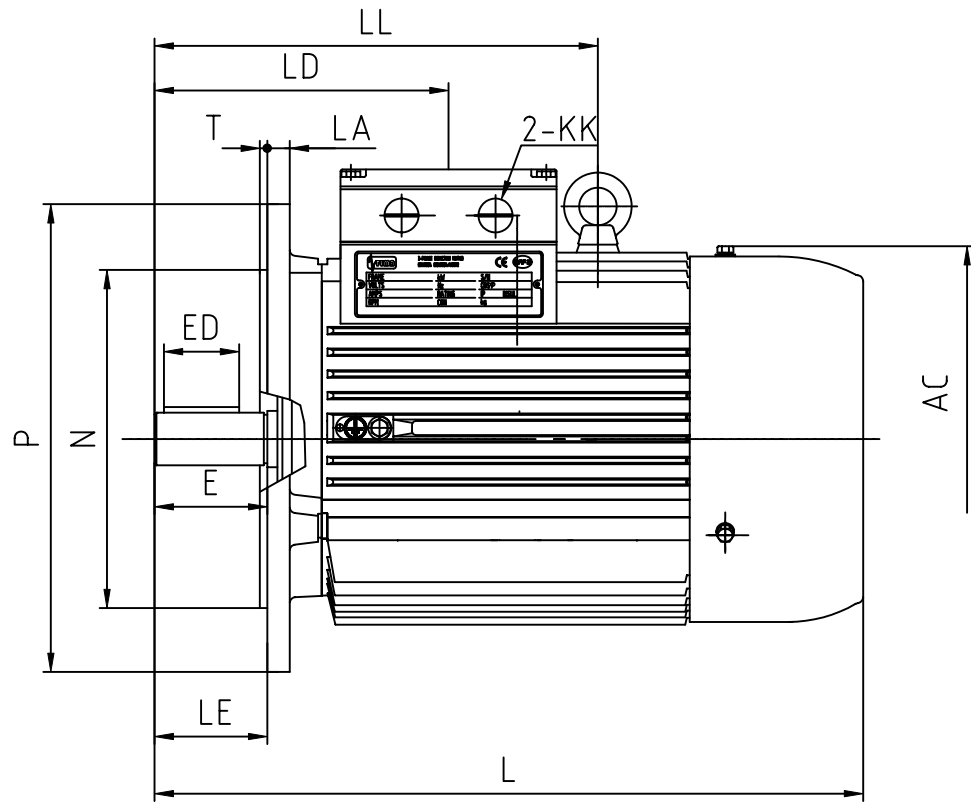
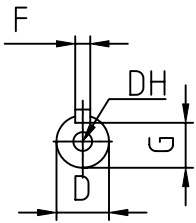
SIGNATURE

DATE

1L100 2-6P (B3)
DIMENSION OUTLINE

1L100001

DATE	2002.01.20	CHK	Qu Huadong
DRAWN	Feng Jinquan	APPD	Zhang Wenbin
ISSUE A	DATE	CERTIFIED BY	
ISSUE B	DATE	CERTIFIED BY	
ISSUE C	DATE	CERTIFIED BY	
ISSUE D	DATE	CERTIFIED BY	



CLIENT:		
FRAME	KW	RPM
VOLTS		

OUTLINE DIMENSIONS FLANGE MOUNTED MOTORS

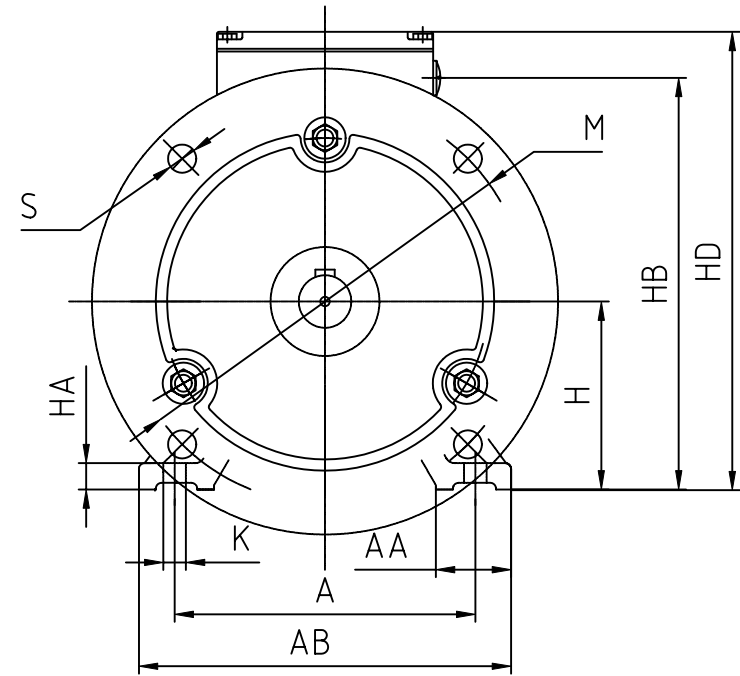
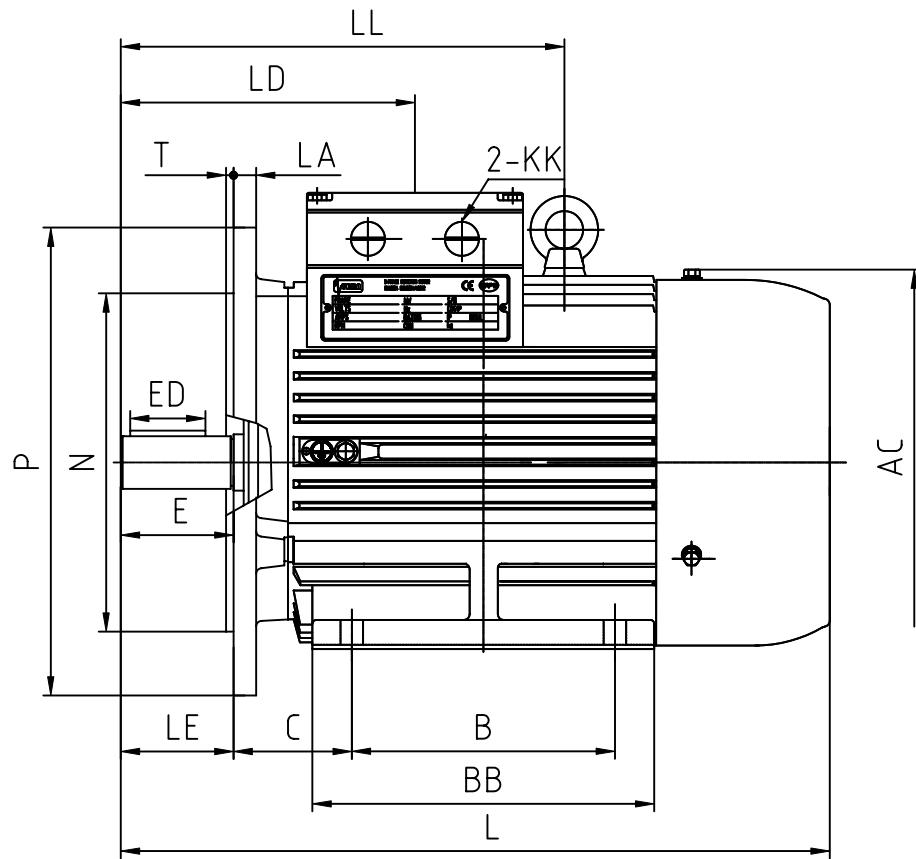
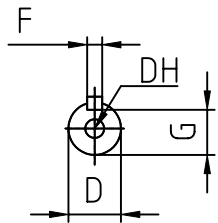
SHAFT EXT.DE ONLY

WEIGHT

AC	AD	AG'	KK	L	LA	LD	LE	LL	M	N	P	S	T					D	DH	E	ED	F	G	
φ215	165	125.5	M32x1.5	385	12	157	60	236	φ215	φ180	φ250	4×φ15	4					φ28 ^{+0.009} _{-0.004}	M10×22	60	45	8	24 ⁰ _{-0.2}	

CUSTOMER APPROVAL _____
SIGNATURE DATE

1L100 2-6P (B5) DIMENSION OUTLINE	DATE	2002.01.20	CHK	Qu Hualong
	DRAWN	Feng Jinquan	APPD	Zhang Wenbin
1L100002	ISSUE A	DATE	CERTIFIED BY	
	ISSUE B	DATE	CERTIFIED BY	
	ISSUE C	DATE	CERTIFIED BY	
	ISSUE D	DATE	CERTIFIED BY	



CLIENT:

FRAME	KW	RPM
VOLTS		

OUTLINE DIMENSIONS FOOT-FLANGE MOUNTED MOTORS

SHAFT EXT.DE ONLY

WEIGHT

A	AA	AB	AC	B	BB	C	H	HA	HB	HD	K	KK	L	LA	LD	LE	LL	D	DH	E	ED	F	G
160	40	200	φ215	140	182	63	100	14	225.5	265	φ12	M32x1.5	385	12	157	60	236	φ28 ^{+0.009} _{-0.004}	M10X22	60	45	8	24 ⁰ _{-0.2}

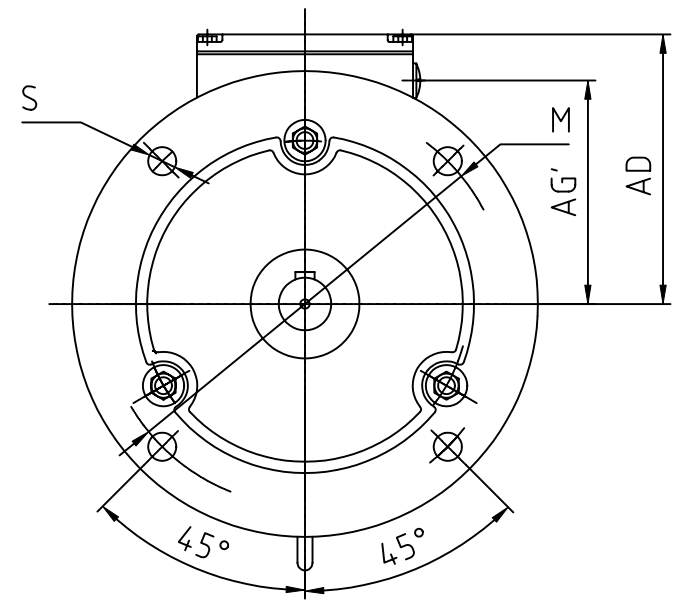
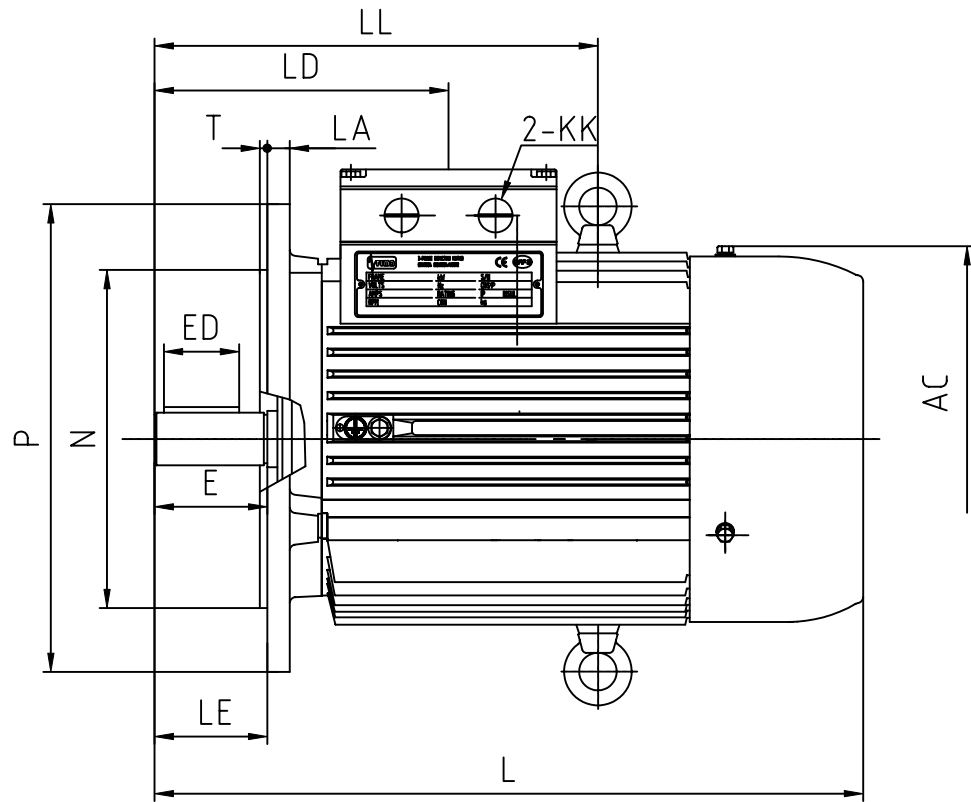
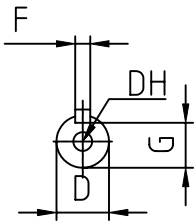
M	N	P	S	T
φ215	φ180	φ250	4Xφ15	4

CUSTOMER APPROVAL _____
SIGNATURE DATE

1L100 2-6P (B35)
DIMENSION OUTLINE

1L100003

DATE	2002.01.20	CHK	Qu Hualong
DRAWN	Feng Jinquan	APPD	Zhang Wenbin
ISSUE A	DATE	CERTIFIED BY	
ISSUE B	DATE	CERTIFIED BY	
ISSUE C	DATE	CERTIFIED BY	
ISSUE D	DATE	CERTIFIED BY	



CLIENT:		
FRAME	KW	RPM
VOLTS		

OUTLINE DIMENSIONS FLANGE MOUNTED MOTORS

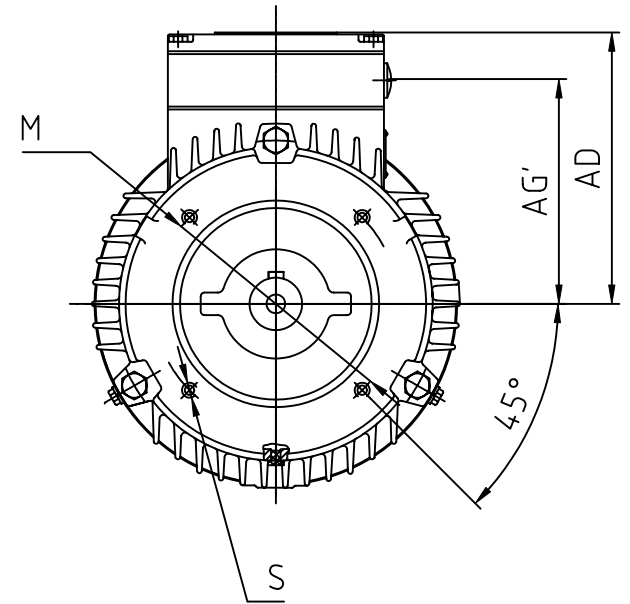
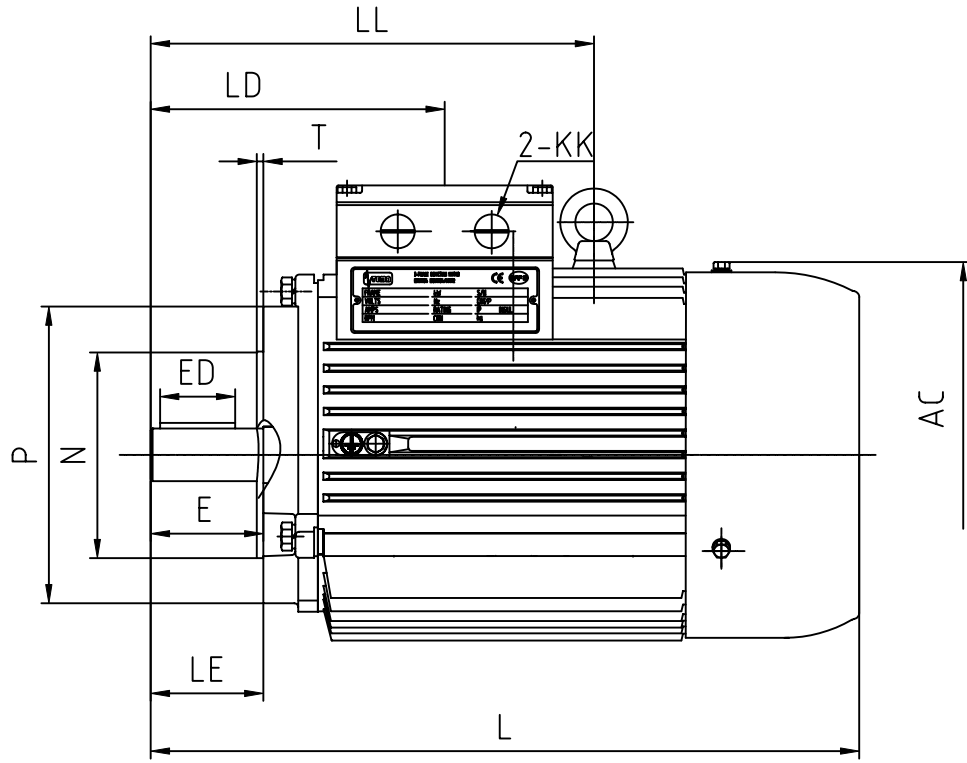
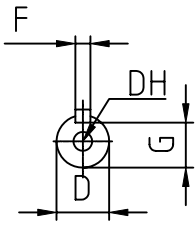
SHAFT EXT.DE ONLY

WEIGHT

AC	AD	AG'	KK	L	LA	LD	LE	LL	M	N	P	S	T					D	DH	E	ED	F	G	
φ215	165	125.5	M32x1.5	385	12	157	60	236	φ215	φ180	φ250	4×φ15	4					φ28 ^{+0.009} _{-0.004}	M10×22	60	45	8	24 ⁰ _{-0.2}	

CUSTOMER APPROVAL _____
SIGNATURE DATE

1L100 2-6P (V1) DIMENSION OUTLINE	DATE	2002.01.20	CHK	Qu Hualong
	DRAWN	Feng Jinqun	APPD	Zhang Wenbin
1L100004	ISSUE A	DATE	CERTIFIED BY	
	ISSUE B	DATE	CERTIFIED BY	
	ISSUE C	DATE	CERTIFIED BY	
	ISSUE D	DATE	CERTIFIED BY	



CLIENT:		
FRAME	KW	RPM
VOLTS		

OUTLINE DIMENSIONS FLANGE MOUNTED MOTORS

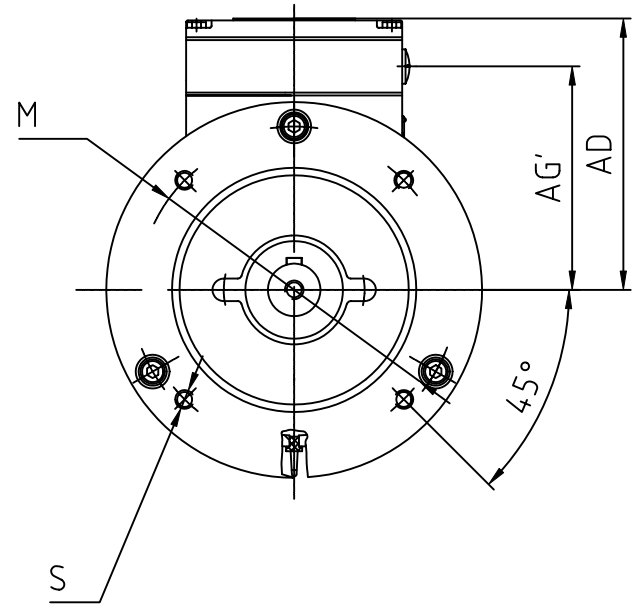
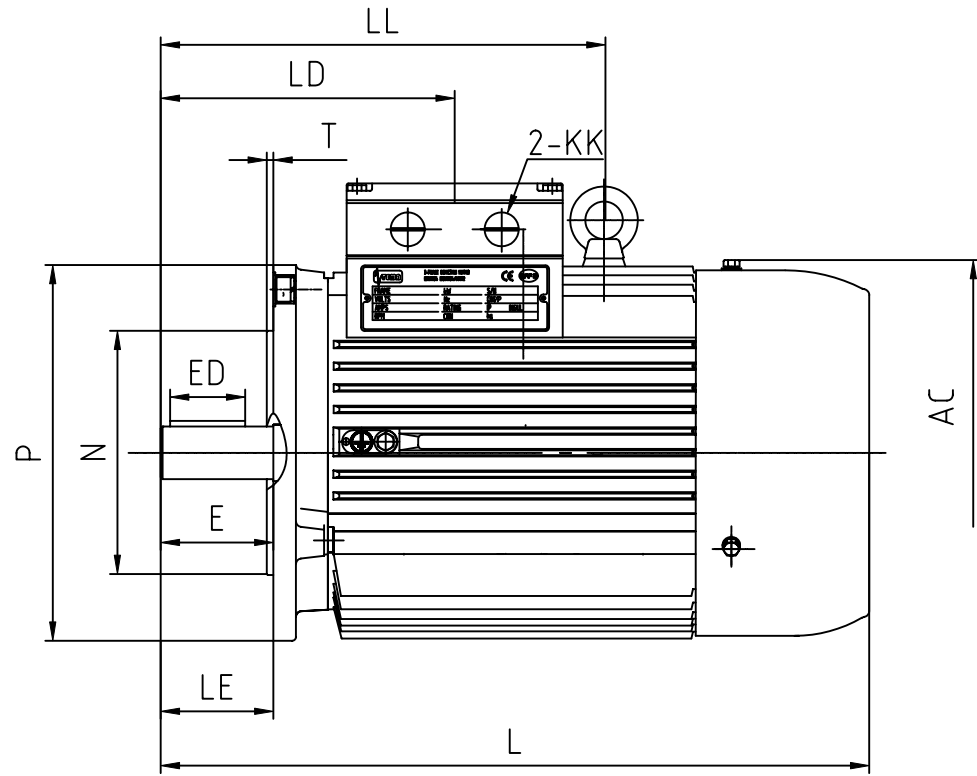
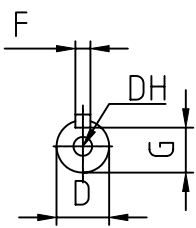
SHAFT EXT.DE ONLY

WEIGHT

AC	AD	AG'	KK	L	LD	LE	LL	M	N	P	S	T					D	DH	E	ED	F	G
φ215	165	125.5	M32x1.5	385	157	60	236	φ130	φ110	φ160	4×M8	3.5					φ28 ^{+0.009} _{-0.004}	M10×22	60	45	8	24 ⁰ _{-0.2}

CUSTOMER APPROVAL _____
 SIGNATURE DATE

1L100 2-6P (B14A) DIMENSION OUTLINE	DATE	2002.01.23	CHK	Qu Hualong
	DRAWN	Feng Jinqun	APPD	Zhang Wenbin
1L100005	ISSUE A	DATE	CERTIFIED BY	
	ISSUE B	DATE	CERTIFIED BY	
	ISSUE C	DATE	CERTIFIED BY	
	ISSUE D	DATE	CERTIFIED BY	



CLIENT:

FRAME	KW
VOLTS	RPM

OUTLINE DIMENSIONS FLANGE MOUNTED MOTORS

SHAFT EXT.DE ONLY

WEIGHT

AC	AD	AG'	KK	L	LD	LE	LL	M	N	P	S	T					D	DH	E	ED	F	G
φ215	165	125.5	M32x1.5	385	157	60	236	φ165	φ130	φ200	4×M10	3.5					φ28 ^{+0.009} _{-0.004}	M10×22	60	45	8	24 ⁰ _{-0.2}

CUSTOMER APPROVAL _____

SIGNATURE

DATE

1L100 2-6P (B14B)
DIMENSION OUTLINE

1L100006

DATE	2002.01.23	CHK	Qu Hualong
DRAWN	Feng Jinqun	APPD	Zhang Wenbin
ISSUE A	DATE	CERTIFIED BY	
ISSUE B	DATE	CERTIFIED BY	
ISSUE C	DATE	CERTIFIED BY	
ISSUE D	DATE	CERTIFIED BY	