

CLIENT:

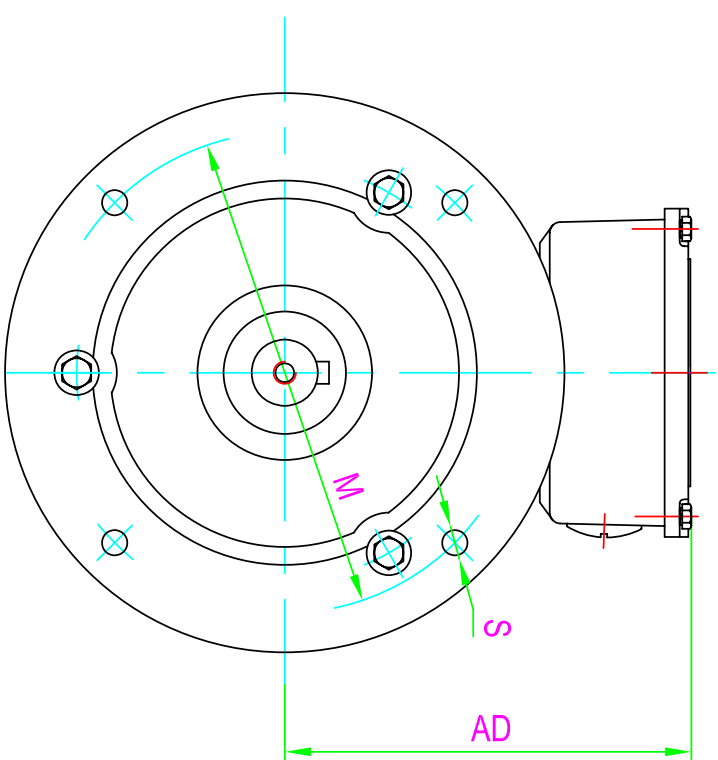
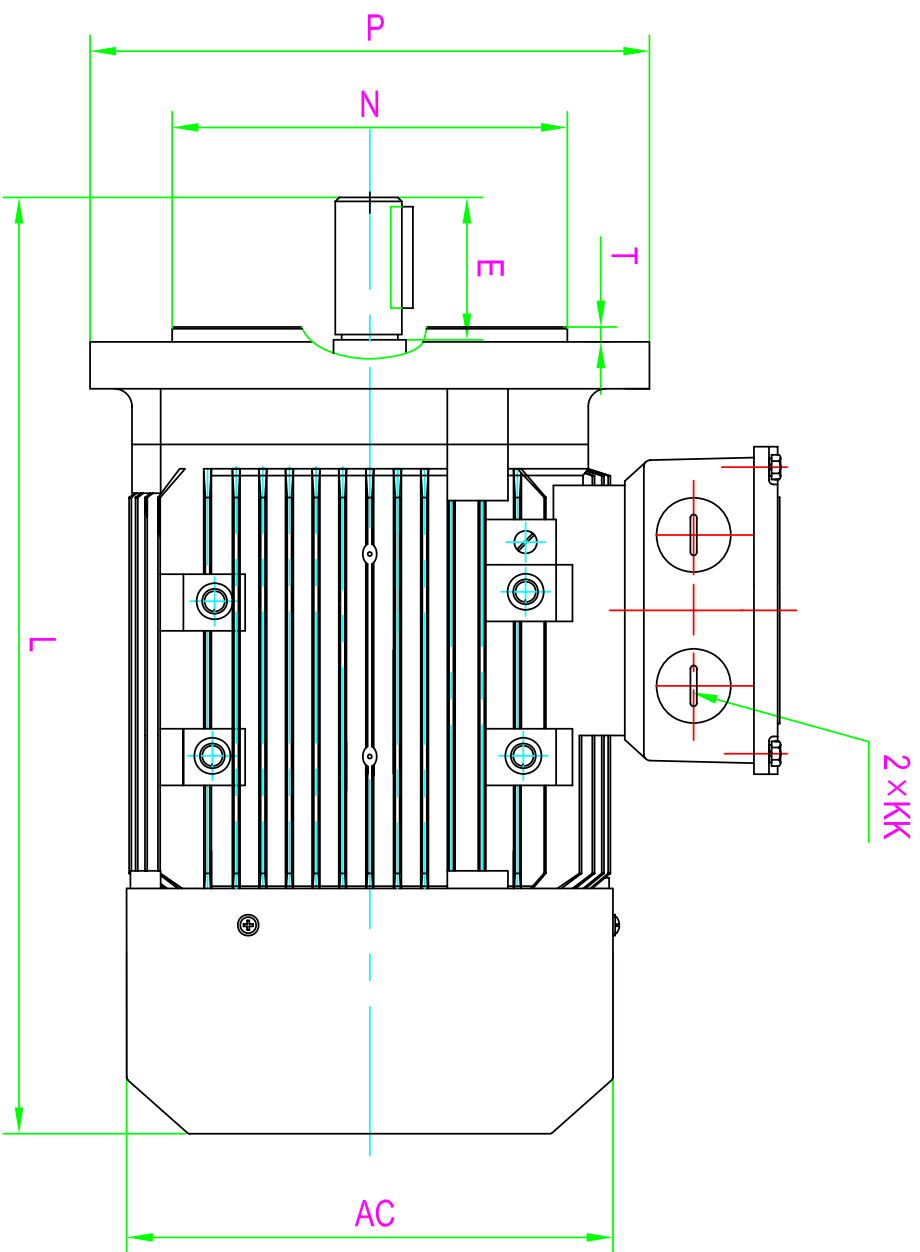
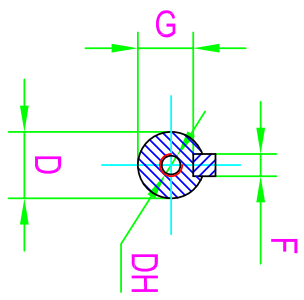
FRAME

71

KW

VOLTS

RPM



OUTLINE DIMENSIONS FLANGE MOUNTED MOTORS

SHAFT EXT. DE ONLY

WEIGHT(kg)

AC	AD	KK	L	M	N	P	S	T	D	DH	E	F	G	1A71M1-2	1A71M2-2	1A71M1-4	1A71M2-4	1A71M1-6	1A71M2-6
136	127	M20x1.5	245	130	110	160	Ø12	3.5	Ø14	M5x12	30	5	11						

CUSTOMER APPROVAL

SIGNATURE

DATE

1AR71 B5
DIMENSION OUTLINE

DWG #

DATE	CHECKED BY	
DESIGNED BY	APPROVED BY	
ISSUE	DATE	CERTIFIED BY
ISSUE	DATE	CERTIFIED BY
ISSUE	DATE	CERTIFIED BY