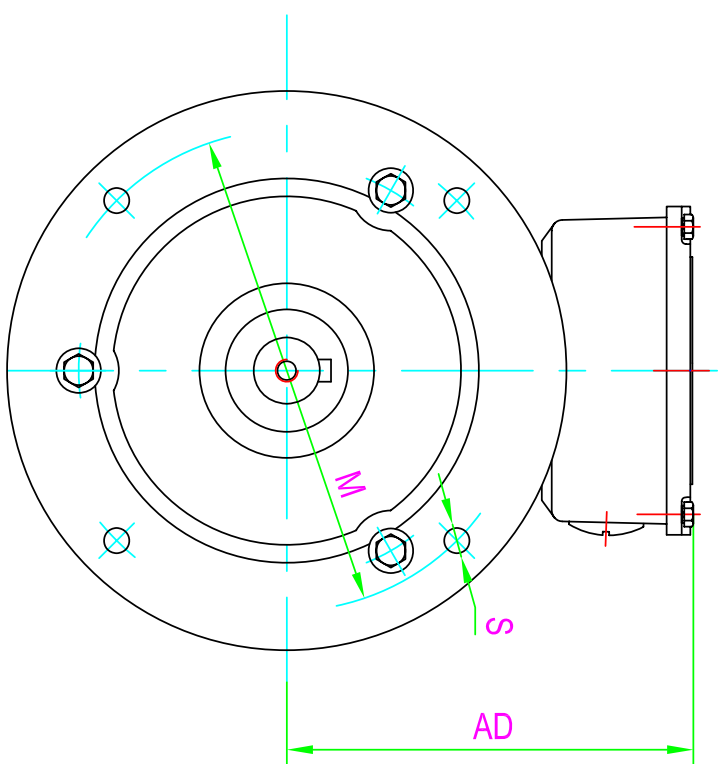
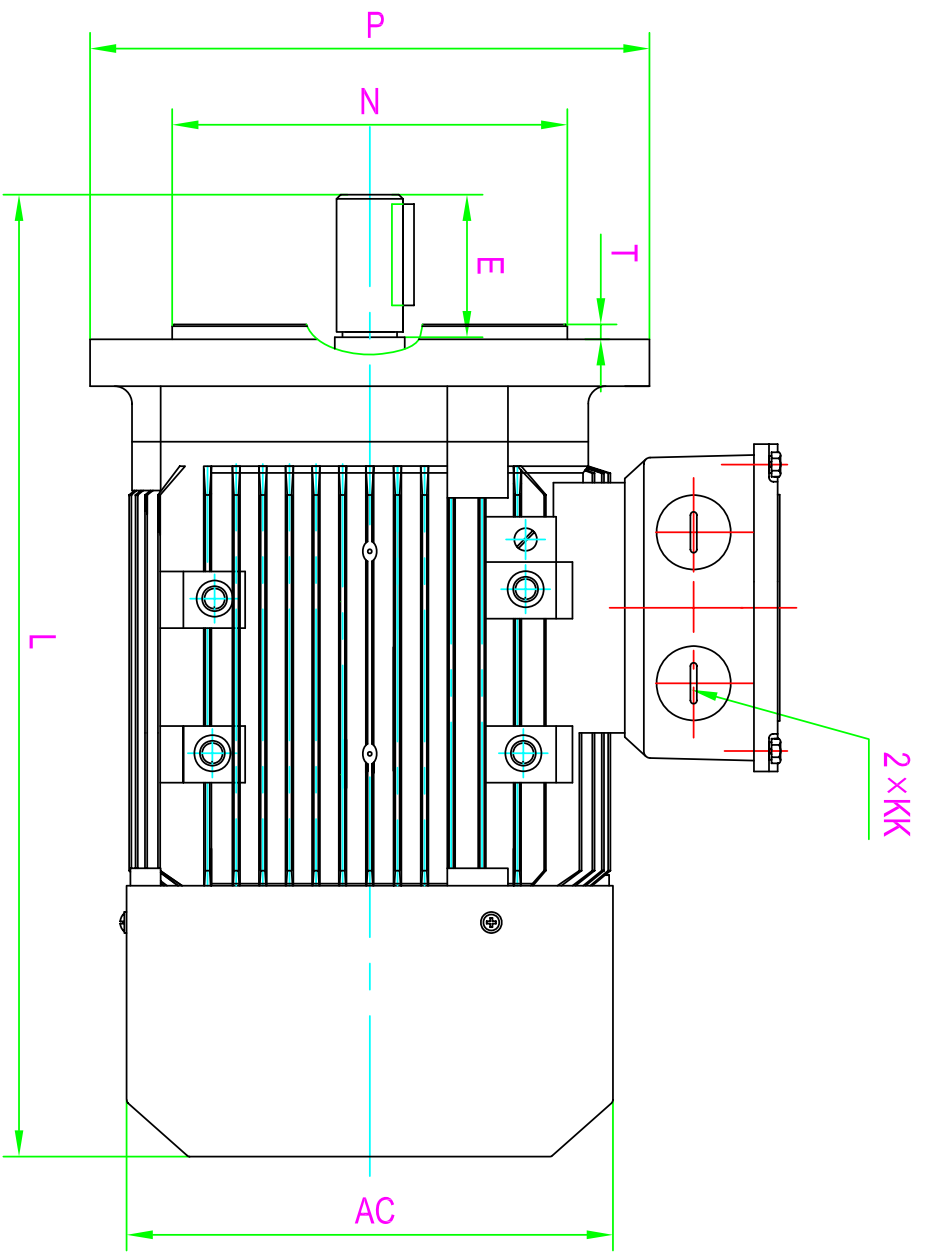
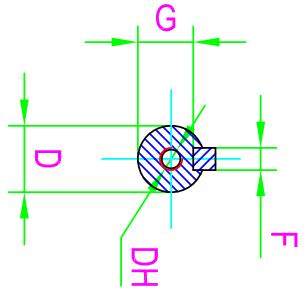


CLIENT:

FRAME	56	KW	
VOLTS		RPM	



OUTLINE DIMENSIONS FLANGE MOUNTED MOTORS

AC	AD	KK	L	M	N	P	S	T	D	DH	E	F	G	WEIGHT(kg)
136	127	M20×1.5	245	130	110	160	Ø12	3.5	Ø14	M5×12	30	5	11	1A56-2
														1A56-4

SHAFT EXT. DE ONLY

WEIGHT(kg)

CUSTOMER APPROVAL

SIGNATURE

DATE

1A56 B5  
DIMENSION OUTLINE

DWG #

DATE

DESIGNED BY

ISSUE

ISSUE

ISSUE

CHECKED BY

APPROVED BY

CERTIFIED BY

CERTIFIED BY

CERTIFIED BY